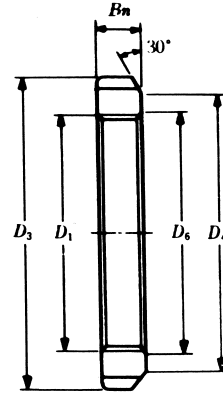
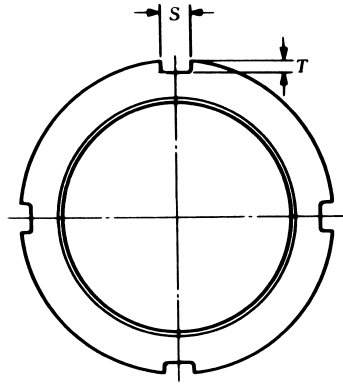


Locknuts



HNL
HML

Lock Nut Part No.	D 1 Thread ¹⁾	D 3 mm	D 4 mm	B n mm	S mm	T mm	D 6 mm	Weight (kgs)
HNL 41	Tr 205 × 4	250	232	30	18	8	207	3.430
HNL 43	Tr 215 × 4	260	242	30	20	9	217	3.720
HNL 47	Tr 235 × 4	280	262	34	20	9	237	4.600
HNL 52	Tr 260 × 4	310	290	34	20	10	262	5.800
HNL 56	Tr 280 × 4	330	310	38	24	10	282	6.720
HNL 60	Tr 300 × 4	360	336	42	24	12	302	9.600
HNL 64	Tr 320 × 5	380	356	42	24	12	322.5	10.300
HNL 69	Tr 345 × 5	410	384	45	28	13	347.5	11.500
HNL 72	Tr 360 × 5	420	394	45	28	13	362.5	12.100
HNL 73	Tr 365 × 5	430	404	48	28	13	367.5	14.200
HNL 76	Tr 380 × 5	450	422	48	28	14	382.5	16.000
HNL 77	Tr 385 × 5	450	422	48	28	14	387.5	15.000
HNL 80	Tr 400 × 5	470	442	52	28	14	402.5	18.500
HNL 82	Tr 410 × 5	480	452	52	32	14	412.5	19.000
HNL 84	Tr 420 × 5	490	462	52	32	14	422.5	19.400
HNL 86	Tr 430 × 5	500	472	52	32	14	432.5	19.800
HNL 88	Tr 440 × 5	520	490	60	32	15	442.5	27.000
HNL 90	Tr 450 × 5	520	490	60	32	15	452.5	27.500
HNL 92	Tr 460 × 5	540	510	60	32	15	462.5	28.000
HNL 94	Tr 470 × 5	540	510	60	32	15	472.5	28.500
HNL 96	Tr 480 × 5	560	530	60	36	15	482.5	29.500
HNL 98	Tr 490 × 5	580	550	60	36	15	492.5	34.000
HNL 100	Tr 500 × 5	580	550	68	36	15	502.5	35.000
HNL 104	Tr 520 × 6	600	570	68	36	15	523	37.000
HNL 106	Tr 530 × 6	630	590	68	40	20	533	47.000
HNL 108	Tr 540 × 6	630	590	68	40	20	543	43.500

Note :

- 1) Tr means 30°, trapezoid thread and the digits are major diameter of thread and pitch。
Tr 代表 30°，梯形螺紋；數字代表螺紋外徑及螺距。
- 2) The specifications of HNL can be applied for HML。
HNL 的尺寸規格適用於 HML。