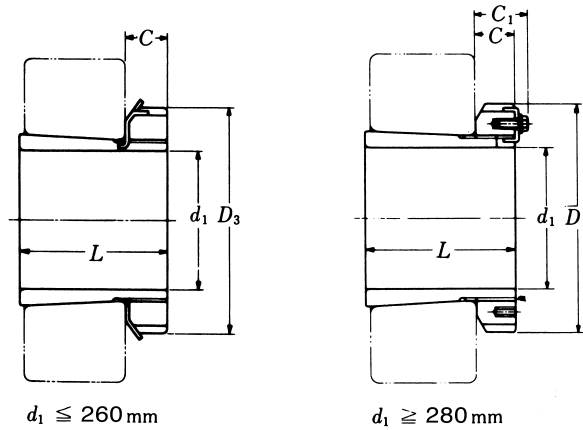


# Adapter Sleeves

**H 31**

**HE 31**

**HA 31**



TAPER 1:12

Adapter <sup>1)</sup> Part No.	d <sub>1</sub>			L mm	D <sub>3</sub> mm	C mm	C <sub>1</sub> <sup>4)</sup> mm	Lock Nut	Lock Washer and Lock plate	Weight (kgs)
	H mm	HE <sup>2)</sup> in	HA <sup>3)</sup> in							
H 3120	90	3 ½	3 7/16	76	130	20	—	AN 20	AW 20	1.800
H 3122	100	4	3 15/16	81	145	21	—	AN 22	AW 22	2.250
H 3124	110	4 ¼	4 3/16	88	155	22	—	AN 24	AW 24	2.640
H 3126	115	4 ½	4 7/16	92	165	23	—	AN 26	AW 26	3.660
H 3128	125	5	4 15/16	97	180	24	—	AN 28	AW 28	4.340
H 3130	135	5 ¼	5 3/16	111	195	26	—	AN 30	AW 30	5.520
H 3132	140	5 ½	5 7/16	119	210	28	—	AN 32	AW 32	7.670
H 3134	150	6	5 15/16	122	220	29	—	AN 34	AW 34	8.380
H 3136	160	6 ½	6 7/16	131	230	30	—	AN 36	AW 36	9.500
H 3138	170	6 ¾	6 15/16	141	240	31	—	AN 38	AW 38	10.800
H 3140	180	7	7 3/16	150	250	32	—	AN 40	AW 40	12.100
H 3144	200	8	7 15/16	161	280	35	—	HN 44	AW 44	15.500
H 3148	220	—	—	172	300	37	—	HN 48	AW 48	18.300
H 3152	240	—	—	190	330	38	—	HN 52	AW 52	23.200
H 3156	260	—	—	195	350	39	—	HN 56	AW 56	25.900
H 3160	280	—	—	208	380	40	53	AN 60	AL 60	30.200
H 3164	300	—	—	226	400	42	56	AN 64	AL 64	34.900
H 3168	320	—	—	254	440	55	72	AN 68	AL 68	49.500
H 3172	340	—	—	259	460	58	75	AN 72	AL 72	54.200
H 3176	360	—	—	264	490	60	77	AN 76	AL 76	61.700
H 3180	380	—	—	272	520	62	82	AN 80	AL 80	70.600
H 3184	400	—	—	304	540	70	90	AN 84	AL 84	84.200
H 3188	410	—	—	307	560	70	90	AN 88	AL 88	104.000
H 3192	430	—	—	326	580	75	95	AN 92	AL 92	116.000
H 3196	450	—	—	335	620	75	95	AN 96	AL 96	133.000
H31/500	470	—	—	356	630	80	100	AN 100	AL 100	143.000

Note :

- 1) Adapter sleeves are supplied complete with lock nuts and lock washers or lock plates 。  
整組緊定套附螺母及華司或鎖定片。
- 2) Adapter sleeves for these bores are designated HE , e.g. HE3120 。  
此欄套筒內徑規格為 HE , 例如 HE3120 。
- 3) Adapter sleeves for these bores are designated HA , e.g. HA3120 。  
此欄套筒內徑規格為 HA , 例如 HA3120 。
- 4) Adapter with the dimension C1 have a locking device as shown in the right illustration 。  
標示出 C1 尺寸的套筒附鎖定裝置, 如右圖所示。