

CONTENTS

目錄索引

No 010819

ADAPTER SLEEVES

H 2	2
H 3	3
H 23	4-5
H 31	6
H 32	7
H 30	8
H 39	9

HYDRAULIC ADAPTER SLEEVES

HOH 23	10
HOH 32	10
HOH 31	11
HOH 30	12
HOH 39	13

WITHDRAWAL SLEEVES

AH 2	15
AH 3	16
AH 23	17
AH 31	18
AH 32	19
AH 22	20
AH 30	21
AH 240	22
AH 241	23
AH 39	24

HYDRAULIC WITHDRAWAL SLEEVES

AOH 23	25
AOH 31	26
AOH 32	27
AOH 22	28
AOH 30	29
AOH 240	30
AOH 241	31
AOH 39	32

LOCKNUTS

AN (KM) • ANL (KML)	34-35
AN (HM 31) • ANL (HM 30)	36-37
HN (HM) • HNL (HML)	38-39

HYDRAULIC NUTS

GPV	40-43
-----	-------

LOCKWASHERS and LOCKPLATES

AW (MB) • AWL (MBL)	44-45
AL (MS 31) • ALL (MS 30)	46

SELF-LOCKING NUT

GUK	47
-----	----

SUS LOCKNUTS

AN (KM)	48
---------	----

SUS LOCKWASHERS

AW (MB)	49
---------	----

Index Table

Tapre Bore Bearing No					Applicable Adapter Series and Withdrawal Sleeve Serues		Page
Self - Aligning Ball Bearings	Spherical Roller Bearings	Deep Groove Ball Bearings	Cylindrical Roller Bearings	Insert Bearings for Bearing Units	適用之緊定套代號		
自動調心滾珠軸承	自動調心滾子軸承	單列深溝滾子軸承	圓筒滾子軸承	連座軸承			
1204K - 1222K	—	6211K - 6222K	N206K - N222K NU204K - NU222K	—	Adapter Sleeves	H 2	02
1304K - 1322K 2204K - 2222K	22208K - 22222K 21308K - 21322K	6311K - 6322K	NU2205K - NU2222K N306K - N322K NU304K - NU322K	—		H 3	03
2304K - 2322K	23218K - 23256K 22308K - 22356K	—	NU2305K - NU2356K	UK205 - UK218 UK305 - UK328 UKX05 - UKX20		H 23 HOH 23	4-5 10
—	23120K - 231/500K 22224K - 22264K	6324K - 6340K	NU2224K - NU2264K N (NU) 324K - 340K	—		H 31 HOH 31	06 11
—	23260K - 232/500K	—	—	—		H 32 HOH 32	07 10
—	23024K - 230/500K	6224K - 6240K	N (NU) 224K - 264K N (NU) 344K - 356K	—		H 30 HOH 30	08 12
—	23936K - 239/500K	—	—	—		H 39 HOH 39	09 13
1208K - 1222K	—	—	N206K - N222K NU208K - NU222K	—		Withdrawal Sleeves	AH 2
1308K - 1322K 2208K - 2220K	22208K - 22220K 21308K - 21322K	6311K - 6322K	N (NU) 308 - 322K NU2208K - NU2220K	—	AH 3		16
2308K - 2322K	23244K - 23256K 22308K - 22356K	—	NU 2308K - NU 2356K	—	AH 23 AOH 23		17 25
2222K	23120K - 231/500K 22222K - 22234K	—	NU 2222K - NU 2234K	—	AH 31 AOH 31		18 26
—	23218K - 23240K 23260K - 232/500K	—	—	—	AH 32 AOH 32		19 27
—	22236K - 22264K	—	NU 2236K - NU 2264K	—	AH 22 AOH 22		20 28
—	23024K - 230/500K	—	NU 3024K - NU 3064K	—	AH 30 AOH 30		21 29
—	24024K - 240/500K	—	—	—	AH 240 AOH 240		22 30
—	24122K - 241/500K	—	—	—	AH 241 AOH 241		23 31
—	23936K - 239/500K	—	—	—	AH 39 AOH 39		24 32
Locknuts							AN. ANL. HN. HNL.
Lockwashers and Lockplates						AW. AWL. AL. ALL.	40-41 42-43



Certificat

Certificate

N° 2012/51078.5

AFNOR Certification certifies that the management system implemented by:
AFNOR Certification certifie que le système de management mis en place par :

CHIN SUNG ENTERPRISE CO., LTD.

for the following activities:
pour les activités suivantes :

**MANUFACTURE AND SALE OF ADAPTER SLEEVES,
WITHDRAWAL SLEEVES, LOCKNUTS AND LOCKWASHERS.**

has been assessed and found to meet the requirements of:
a été évalué et jugé conforme aux exigences requises par :

ISO 9001 : 2015

and is developed on the following locations:
et est déployé sur les sites suivants :

NO. 369, FUYING RD., XINZHUANG DIST., NEW TAIPEI CITY 24258, TAIWAN, R.O.C.

This certificate is valid from (year/month/day)
Ce certificat est valable à compter du (année/mois/jour)

2017-08-10

until
jusqu'au

2020-08-09



*Ce document est signé électroniquement. Il constitue un original électronique à valeur probatoire.
This document is electronically signed. It stands for an electronic original with probatory value.*

Franck LEBEUGLE
Managing Director of AFNOR Certification
Directeur Général d'AFNOR Certification



Scan this QR code to
check the validity of
the certificate

The electronic certificate only, available at www.afnor.org, attests in real-time that the company is certified. Seul le certificat électronique, consultable sur www.afnor.org, fait foi en temps réel de la certification de l'organisme. COFRAC accreditation n°4-0001, Management Systems Certification, Scope available on www.cofrac.fr. Accréditation COFRAC n°4-0001, Certification de Systèmes de management, Portée disponible sur www.cofrac.fr. AFAQ is a registered trademark. AFAQ est une marque déposée. CERTI F 0056.T - EN 11/2014

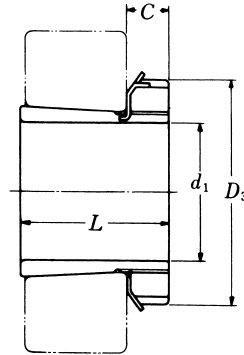
5
N
C
T
C

Adapter Sleeves Hydraulic Adapter Sleeves



Adapter Sleeves

H 2
HE 2
HS 2
HA 2



TAPER 1:12

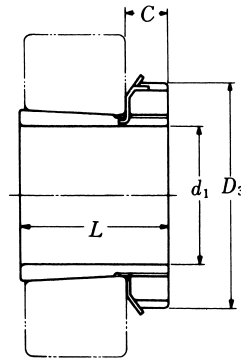
Adapter ¹⁾ Part No.	d ₁				L mm	D ₃ mm	C mm	Lock Nut	Lock Washer	Weight (kgs)
	H mm	HE ²⁾ in	HS ³⁾ in	HA ⁴⁾ in						
H 204	17	—	—	—	24	32	7	AN 04	AW 04	0.041
H 205	20	¾	⅞	—	26	38	9	AN 05	AW 05	0.070
H 206	25	1	⅞	⅝ ₁₆	27	45	9	AN 06	AW 06	0.099
H 207	30	—	1 ⅛	1 ⅜ ₁₆	29	52	10	AN 07	AW 07	0.125
H 208	35	1 ¼	1 ⅜	1 ⅝ ₁₆	31	58	11	AN 08	AW 08	0.174
H 209	40	1 ½	1 ⅝	1 ⅞ ₁₆	33	65	12	AN 09	AW 09	0.227
H 210	45	1 ¾	1 ⅝	1 ⅞ ₁₆	35	70	13	AN 10	AW 10	0.274
H 211	50	2	1 ⅞	1 ⅝ ₁₆	37	75	13	AN 11	AW 11	0.308
H 212	55	—	2 ⅛	—	38	80	13	AN 12	AW 12	0.346
H 213	60	2 ¼	2 ⅜	2 ⅜ ₁₆	40	85	14	AN 13	AW 13	0.401
H 214	60	—	—	—	41	92	14	AN 14	AW 14	0.593
H 215	65	2 ½	—	2 ⅞ ₁₆	43	98	15	AN 15	AW 15	0.707
H 216	70	2 ¾	—	2 ⅞ ₁₆	46	105	17	AN 16	AW 16	0.882
H 217	75	3	—	2 ⅝ ₁₆	50	110	18	AN 17	AW 17	1.020
H 218	80	—	—	3 ⅜ ₁₆	52	120	18	AN 18	AW 18	1.190
H 219	85	3 ¼	—	—	55	125	19	AN 19	AW 19	1.370
H 220	90	3 ½	—	3 ⅞ ₁₆	58	130	20	AN 20	AW 20	1.490
H 221	95	—	—	—	60	140	20	AN 21	AW 21	1.720
H 222	100	4	—	3 ⅝ ₁₆	63	145	21	AN 22	AW 22	1.930

Note :

- 1) Adapter sleeves are supplied complete with lock nuts and lock washers °
整組緊定套附螺母及華司 °
- 2) Adapter sleeves for these bores are designated HE, e.g. HE205 °
此欄套筒內徑規格為 HE , 例如 HE205 °
- 3) Adapter sleeves for these bores are designated HS, e.g. HS205 °
此欄套筒內徑規格為 HS , 例如 HS205 °
- 4) Adapter sleeves for these bores are designated HA, e.g. HA206 °
此欄套筒內徑規格為 HA , 例如 HA206 °

Adapter Sleeves

H 3
HE 3
HS 3
HA 3



TAPER 1:12

Adapter ¹⁾ Part No.	d ₁				L mm	D ₃ mm	C mm	Lock Nut	Lock Washer	Weight (kgs)
	H mm	HE ²⁾ in	HS ³⁾ in	HA ⁴⁾ in						
H 304	17	—	—	—	28	32	7	AN 04	AW 04	0.045
H 305	20	3/4	7/8	—	29	38	9	AN 05	AW 05	0.075
H 306	25	1	7/8	15/16	31	45	9	AN 06	AW 06	0.109
H 307	30	—	1 1/8	1 3/16	35	52	10	AN 07	AW 07	0.142
H 308	35	1 1/4	1 3/8	1 5/16	36	58	11	AN 08	AW 08	0.189
H 309	40	1 1/2	1 5/8	1 7/16	39	65	12	AN 09	AW 09	0.248
H 310	45	1 3/4	1 5/8	1 11/16	42	70	13	AN 10	AW 10	0.303
H 311	50	2	1 7/8	1 15/16	45	75	13	AN 11	AW 11	0.345
H 312	55	—	2 1/8	—	47	80	13	AN 12	AW 12	0.394
H 313	60	2 1/4	2 3/8	2 3/16	50	85	14	AN 13	AW 13	0.458
H 314	60	—	—	—	52	92	14	AN 14	AW 14	0.723
H 315	65	2 1/2	—	2 7/16	55	98	15	AN 15	AW 15	0.831
H 316	70	2 3/4	—	2 11/16	59	105	17	AN 16	AW 16	1.030
H 317	75	3	—	2 15/16	63	110	18	AN 17	AW 17	1.180
H 318	80	—	—	3 3/16	65	120	18	AN 18	AW 18	1.370
H 319	85	3 1/4	—	—	68	125	19	AN 19	AW 19	1.560
H 320	90	3 1/2	—	3 7/16	71	130	20	AN 20	AW 20	1.690
H 321	95	—	—	—	74	140	20	AN 21	AW 21	1.950
H 322	100	4	—	3 15/16	77	145	21	AN 22	AW 22	2.180

Note :

- 1) Adapter sleeves are supplied complete with lock nuts and lock washers.
整組緊定套附螺母及華司。
- 2) Adapter sleeves for these bores are designated HE, e.g. HE305.
此欄套筒內徑規格為 HE, 例如 HE305。
- 3) Adapter sleeves for these bores are designated HS, e.g. HS305.
此欄套筒內徑規格為 HS, 例如 HS305。
- 4) Adapter sleeves for these bores are designated HA, e.g. HA306.
此欄套筒內徑規格為 HA, 例如 HA306。

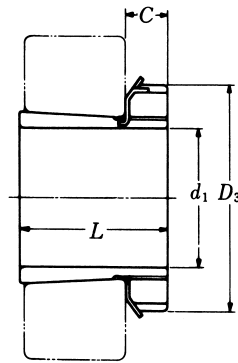
Adapter Sleeves

H 23

HE 23

HS 23

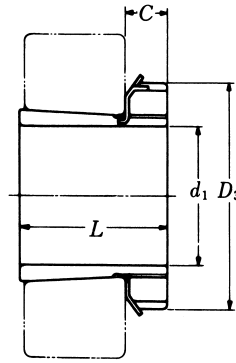
HA 23



TAPER 1:12

Adapter ¹⁾ Part No.	d ₁				L mm	D ₃ mm	C mm	C ₁ ⁵⁾ mm	Lock Nut	Lock Washer	Weight (kgs)
	H mm	HE ²⁾ in	HS ³⁾ in	HA ⁴⁾ in							
H 2304	17	—	—	—	31	32	7	—	AN 04	AW 04	0.049
H 2305	20	¾	⅞	—	35	38	9	—	AN 05	AW 05	0.087
H 2306	25	1	⅞	⅜ ^{15/16}	38	45	9	—	AN 06	AW 06	0.126
H 2307	30	—	1 ⅛	1 ⅜ ^{3/16}	43	52	10	—	AN 07	AW 07	0.165
H 2308	35	1 ¼	1 ⅜	1 ⅝ ^{5/16}	46	58	11	—	AN 08	AW 08	0.224
H 2309	40	1 ½	1 ⅝	1 ⅞ ^{7/16}	50	65	12	—	AN 09	AW 09	0.280
H 2310	45	1 ¾	1 ⅝	1 ⅞ ^{11/16}	55	70	13	—	AN 10	AW 10	0.362
H 2311	50	2	1 ⅞	1 ⅞ ^{15/16}	59	75	13	—	AN 11	AW 11	0.420
H 2312	55	—	2 ⅛	—	62	80	13	—	AN 12	AW 12	0.481
H 2313	60	2 ¼	2 ⅜	2 ⅝ ^{3/16}	65	85	14	—	AN 13	AW 13	0.557
H 2314	60	—	—	—	68	92	14	—	AN 14	AW 14	0.897
H 2315	65	2 ½	—	2 ⅞ ^{7/16}	73	98	15	—	AN 15	AW 15	1.050
H 2316	70	2 ¾	—	2 ⅞ ^{11/16}	78	105	17	—	AN 16	AW 16	1.280
H 2317	75	3	—	2 ⅞ ^{15/16}	82	110	18	—	AN 17	AW 17	1.450
H 2318	80	—	—	3 ⅜ ^{3/16}	86	120	18	—	AN 18	AW 18	1.690
H 2319	85	3 ¼	—	—	90	125	19	—	AN 19	AW 19	1.920
H 2320	90	3 ½	—	3 ⅞ ^{7/16}	97	130	20	—	AN 20	AW 20	2.150
H 2321	95	—	—	—	101	140	20	—	AN 21	AW 21	2.460
H 2322	100	4	—	3 ⅞ ^{15/16}	105	145	21	—	AN 22	AW 22	2.740
H 2324	110	4 ¼	—	4 ⅜ ^{3/16}	112	155	22	—	AN 24	AW 24	3.190
H 2326	115	4 ½	—	4 ⅞ ^{7/16}	121	165	23	—	AN 26	AW 26	4.600

Adapter Sleeves



H 23

HE 23

HA 23

TAPER 1:12

Adapter ¹⁾ Part No.	d ₁				L mm	D ₃ mm	C mm	C ₁ ⁵⁾ mm	Lock Nut	Lock Washer	Weight (kgs)
	H mm	HE ²⁾ in	HS ³⁾ in	HA ⁴⁾ in							
H 2328	125	5	—	4 ¹⁵ / ₁₆	131	180	24	—	AN 28	AW 28	5.550
H 2330	135	5 ¹ / ₄	—	5 ³ / ₁₆	139	195	26	—	AN 30	AW 30	6.630
H 2332	140	5 ¹ / ₂	—	5 ⁷ / ₁₆	147	210	28	—	AN 32	AW 32	9.140
H 2334	150	6	—	5 ¹⁵ / ₁₆	154	220	29	—	AN 34	AW 34	10.200
H 2336	160	6 ¹ / ₂	—	6 ⁷ / ₁₆	161	230	30	—	AN 36	AW 36	11.300
H 2338	170	6 ³ / ₄	—	6 ¹⁵ / ₁₆	169	240	31	—	AN 38	AW 38	12.600
H 2340	180	7	—	7 ³ / ₁₆	176	250	32	—	AN 40	AW 40	13.900
H 2344	200	8	—	—	186	280	35	—	HN 44	AW 44	17.700
H 2348	220	—	—	—	199	300	37	—	HN 48	AW 48	20.700
H 2352	240	—	—	—	211	330	38	—	HN 52	AW 52	25.400
H 2356	260	—	—	—	224	350	39	—	HN 56	AW 56	29.100

Note :

1) Adapter sleeves are supplied complete with lock nuts and lock washers or lock plates 。
整組緊定套附螺母及華司或鎖定片。

2) Adapter sleeves for these bores are designated HE , e.g. HE2305 。此欄套筒內徑規格為 HE , 例如 HE2305 。

3) Adapter sleeves for these bores are designated HS , e.g. HS2305 。此欄套筒內徑規格為 HS , 例如 HS2305 。

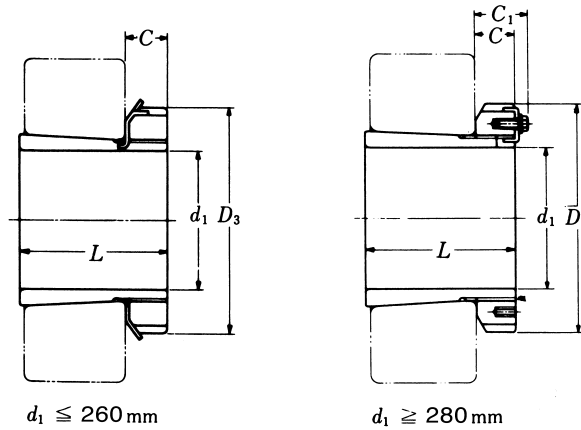
4) Adapter sleeves for these bores are designated HA , e.g. HA2306 。此欄套筒內徑規格為 HA , 例如 HA2306 。

Adapter Sleeves

H 31

HE 31

HA 31



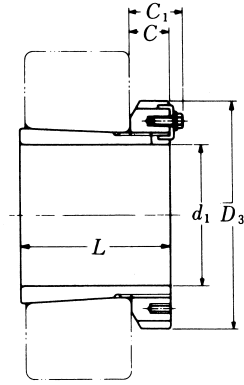
TAPER 1:12

Adapter ¹⁾ Part No.	d ₁			L mm	D ₃ mm	C mm	C ₁ ⁴⁾ mm	Lock Nut	Lock Washer and Lock plate	Weight (kgs)
	H mm	HE ²⁾ in	HA ³⁾ in							
H 3120	90	3 1/2	3 7/16	76	130	20	—	AN 20	AW 20	1.800
H 3122	100	4	3 15/16	81	145	21	—	AN 22	AW 22	2.250
H 3124	110	4 1/4	4 3/16	88	155	22	—	AN 24	AW 24	2.640
H 3126	115	4 1/2	4 7/16	92	165	23	—	AN 26	AW 26	3.660
H 3128	125	5	4 15/16	97	180	24	—	AN 28	AW 28	4.340
H 3130	135	5 1/4	5 3/16	111	195	26	—	AN 30	AW 30	5.520
H 3132	140	5 1/2	5 7/16	119	210	28	—	AN 32	AW 32	7.670
H 3134	150	6	5 15/16	122	220	29	—	AN 34	AW 34	8.380
H 3136	160	6 1/2	6 7/16	131	230	30	—	AN 36	AW 36	9.500
H 3138	170	6 3/4	6 15/16	141	240	31	—	AN 38	AW 38	10.800
H 3140	180	7	7 3/16	150	250	32	—	AN 40	AW 40	12.100
H 3144	200	8	7 15/16	161	280	35	—	HN 44	AW 44	15.500
H 3148	220	—	—	172	300	37	—	HN 48	AW 48	18.300
H 3152	240	—	—	190	330	38	—	HN 52	AW 52	23.200
H 3156	260	—	—	195	350	39	—	HN 56	AW 56	25.900
H 3160	280	—	—	208	380	40	53	AN 60	AL 60	30.200
H 3164	300	—	—	226	400	42	56	AN 64	AL 64	34.900
H 3168	320	—	—	254	440	55	72	AN 68	AL 68	49.500
H 3172	340	—	—	259	460	58	75	AN 72	AL 72	54.200
H 3176	360	—	—	264	490	60	77	AN 76	AL 76	61.700
H 3180	380	—	—	272	520	62	82	AN 80	AL 80	70.600
H 3184	400	—	—	304	540	70	90	AN 84	AL 84	84.200
H 3188	410	—	—	307	560	70	90	AN 88	AL 88	104.000
H 3192	430	—	—	326	580	75	95	AN 92	AL 92	116.000
H 3196	450	—	—	335	620	75	95	AN 96	AL 96	133.000
H31/500	470	—	—	356	630	80	100	AN 100	AL 100	143.000

Note :

- 1) Adapter sleeves are supplied complete with lock nuts and lock washers or lock plates 。
整組緊定套附螺母及華司或鎖定片。
- 2) Adapter sleeves for these bores are designated HE , e.g. HE3120 。
此欄套筒內徑規格為 HE , 例如 HE3120 。
- 3) Adapter sleeves for these bores are designated HA , e.g. HA3120 。
此欄套筒內徑規格為 HA , 例如 HA3120 。
- 4) Adapter with the dimension C1 have a locking device as shown in the right illustration 。
標示出 C1 尺寸的套筒附鎖定裝置, 如右圖所示。

Adapter Sleeves



H 32

TAPER 1:12

Adapter ¹⁾ Part No.	d 1 mm	L mm	D 3 mm	C mm	C 1 ²⁾ mm	Lock Nut	Lock Plate	Weight (kgs)
H 3260	280	240	380	40	53	AN 60	AL 60	34.100
H 3264	300	258	400	42	56	AN 64	AL 64	39.300
H 3268	320	288	440	55	72	AN 68	AL 68	54.600
H 3272	340	299	460	58	75	AN 72	AL 72	60.200
H 3276	360	310	490	60	77	AN 76	AL 76	69.600
H 3280	380	328	520	62	82	AN 80	AL 80	81.000
H 3284	400	352	540	70	90	AN 84	AL 84	94.000
H 3288	410	361	560	70	90	AN 88	AL 88	118.000
H 3292	430	382	580	75	95	AN 92	AL 92	132.000
H 3296	450	397	620	75	95	AN 96	AL 96	152.000
H 32/500	470	428	630	80	100	AN 100	AL 100	166.000

Note :

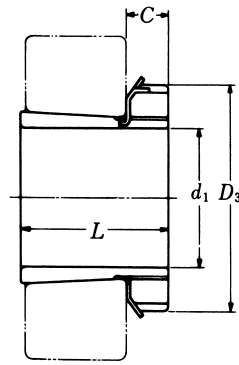
- 1) Adapter sleeves are supplied complete with lock nuts and lock washers or lock plates °
整組緊定套附螺母及華司或鎖定片 °
- 2) Adapter with the dimension C1 have a locking device as shown in the right illustration °
標示出 C1 尺寸的套筒附鎖定裝置 , 如右圖所示 °

Adapter Sleeves

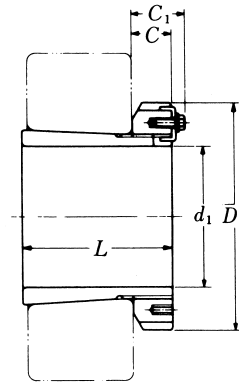
H 30

HE 30

HA 30



$d_1 \leq 180 \text{ mm}$



$d_1 \geq 200 \text{ mm}$

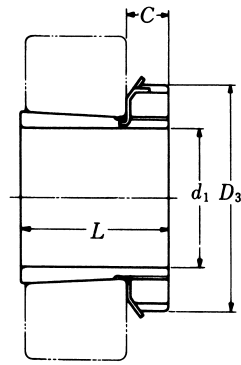
TAPER 1:12

Adapter ¹⁾ Part No.	d_1			L mm	D_3 mm	C mm	C_1 ⁴⁾ mm	Lock Nut	Lock Washer and Lock plate	Weight (kgs)
	H mm	HE ²⁾ in	HA ³⁾ in							
H 3024	110	4 ¼	4 ⅜	72	145	22	—	ANL 24	AWL 24	1.930
H 3026	115	4 ½	4 ⅞	80	155	23	—	ANL 26	AWL 26	2.850
H 3028	125	5	4 15/16	82	165	24	—	ANL 28	AWL 28	3.160
H 3030	135	5 ¼	5 ⅜	87	180	26	—	ANL 30	AWL 30	3.890
H 3032	140	5 ½	5 ⅞	93	190	28	—	ANL 32	AWL 32	5.210
H 3034	150	6	5 15/16	101	200	29	—	ANL 34	AWL 34	5.990
H 3036	160	6 ½	6 ⅞	109	210	30	—	ANL 36	AWL 36	6.830
H 3038	170	6 ¾	6 15/16	112	220	31	—	ANL 38	AWL 38	7.450
H 3040	180	7	7 ⅜	120	240	32	—	ANL 40	AWL 40	9.190
H 3044	200	8	7 15/16	126	260	30	41	ANL 44	ALL 44	10.300
H 3048	220	—	8 15/16	133	290	34	46	ANL 48	ALL 48	13.200
H 3052	240	—	9 ⅞	145	310	34	46	ANL 52	ALL 52	15.300
H 3056	260	—	10 ⅞	152	330	38	50	ANL 56	ALL 56	17.700
H 3060	280	—	10 15/16	168	360	42	54	ANL 60	ALL 60	22.800
H 3064	300	—	11 15/16	171	380	42	55	ANL 64	ALL 64	24.600
H 3068	320	—	12 ⅞	187	400	45	58	ANL 68	ALL 68	28.700
H 3072	340	—	13 ⅞	188	420	45	58	ANL 72	ALL 72	30.500
H 3076	360	—	13 15/16	193	450	48	62	ANL 76	ALL 76	35.800
H 3080	380	—	—	210	470	52	66	ANL 80	ALL 80	41.300
H 3084	400	—	—	212	490	52	66	ANL 84	ALL 84	43.700
H 3088	410	—	—	228	520	60	77	ANL 88	ALL 88	65.200
H 3092	430	—	—	234	540	60	77	ANL 92	ALL 92	69.500
H 3096	450	—	—	237	560	60	77	ANL 96	ALL 96	73.300
H 30 / 500	470	—	—	247	580	68	85	ANL 100	ALL 100	81.800

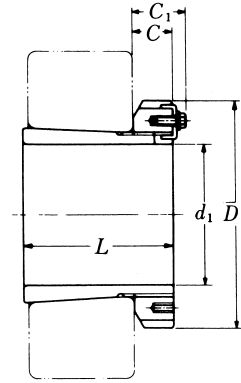
Note :

- 1) Adapter sleeves are supplied complete with lock nuts and lock washers or lock plates 。
整組緊定套附螺母及華司或鎖定片。
- 2) Adapter sleeves for these bores are designated HE , e.g. HE3024 。
此欄套筒內徑規格為 HE , 例如 HE3024 。
- 3) Adapter sleeves for these bores are designated HA , e.g. HA3024 。
此欄套筒內徑規格為 HA , 例如 HA3024 。
- 4) Adapter with the dimension C1 have a locking device as shown in the right illustration 。
標示出 C1 尺寸的套筒附鎖定裝置, 如右圖所示。

Adapter Sleeves



$d_1 \leq 180 \text{ mm}$



$d_1 \geq 200 \text{ mm}$

TAPER 1:12

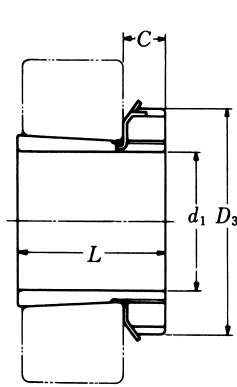
H 39

Adapter ¹⁾	d 1	L	D 3	C	C 1 ²⁾	Lock	Lock Washer	Weight
Part No.	mm	mm	mm	mm	mm	Nut	and Lock plate	(kgs)
H 3936	160	87	210	30	—	ANL 36	AWL 36	5.700
H 3938	170	89	220	31	—	ANL 38	AWL 38	6.190
H 3940	180	98	240	32	—	ANL 40	AWL 40	7.890
H 3944	200	96	260	30	41	ANL 44	ALL 44	8.160
H 3948	220	101	290	34	46	ANL 48	ALL 48	10.700
H 3952	240	116	310	34	46	ANL 52	ALL 52	12.800
H 3956	260	121	330	38	50	ANL 56	ALL 56	14.800
H 3960	280	140	360	42	54	ANL 60	ALL 60	19.800
H 3964	300	140	380	42	55	ANL 64	ALL 64	21.000
H 3968	320	144	400	45	58	ANL 68	ALL 68	23.500
H 3972	340	144	420	45	58	ANL 72	ALL 72	24.500
H 3976	360	164	450	48	62	ANL 76	ALL 76	31.500
H 3980	380	168	470	52	66	ANL 80	ALL 80	35.000
H 3984	400	168	490	52	66	ANL 84	ALL 84	36.600
H 3988	410	189	520	60	77	ANL 88	ALL 88	57.300
H 3992	430	189	540	60	77	ANL 92	ALL 92	59.900
H 3996	450	200	560	60	77	ANL 96	ALL 96	64.900
H 39/500	470	208	580	68	85	ANL 100	ALL 100	73.100

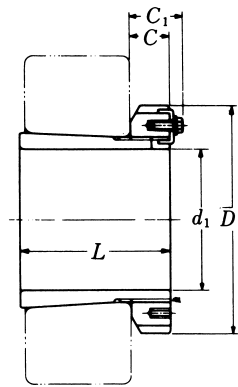
Note :

- 1) Adapter sleeves are supplied complete with lock nuts and lock washers or lock plates 。
整組緊定套附螺母及華司或鎖定片。
- 2) Adapter with the dimension C1 have a locking device as shown in the right illustration 。
標示出 C1 尺寸的套筒附鎖定裝置, 如右圖所示。

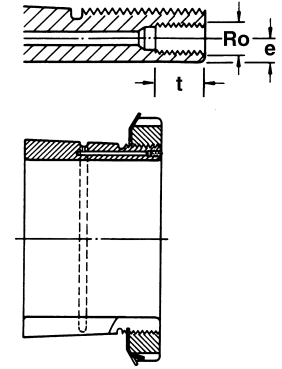
Hydraulic Adapter Sleeves



$d_1 \leq 260 \text{ mm}$



$d_1 \geq 280 \text{ mm}$



TAPER 1:12

HOH 23

Hydraulic Adapter ¹⁾ Part No.	d ₁ H mm	L mm	D ₃ mm	C mm	C ₁ ²⁾ mm	R _o	e mm	t mm	Lock Nut	Lock Washer and Lock plate	Weight (kgs)
HOH 2332	140	147	210	28	—	M6	4.2	8	AN 32	AW 32	9.140
HOH 2334	150	154	220	29	—	M6	4.2	8	AN 34	AW 34	10.200
HOH 2336	160	161	230	30	—	M6	4.2	8	AN 36	AW 36	11.300
HOH 2338	170	169	240	31	—	M6	4.2	8	AN 38	AW 38	12.600
HOH 2340	180	176	250	32	—	M6	4.2	8	AN 40	AW 40	13.900
HOH 2344	200	186	280	35	—	M6	4.2	8	HN 44	AW 44	17.700
HOH 2348	220	199	300	37	—	M6	4.2	8	HN 48	AW 48	20.700
HOH 2352	240	211	330	38	—	M6	4.2	8	HN 52	AW 52	25.400
HOH 2356	260	224	350	39	—	M6	4.2	8	HN 56	AW 56	29.100

HOH 32

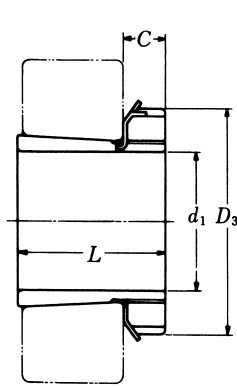
TAPER 1:12

Hydraulic Adapter ¹⁾ Part No.	d ₁ H mm	L mm	D ₃ mm	C mm	C ₁ ²⁾ mm	R _o	e mm	t mm	Lock Nut	Lock Plate	Weight (kgs)
HOH 3260	280	240	380	40	53	M6	4.2	8	AN 60	AL 60	34.100
HOH 3264	300	258	400	42	56	M6	3.5	8	AN 64	AL 64	39.300
HOH 3268	320	288	440	55	72	M6	3.5	8	AN 68	AL 68	54.600
HOH 3272	340	299	460	58	75	M6	3.5	8	AN 72	AL 72	60.200
HOH 3276	360	310	490	60	77	M6	3.5	8	AN 76	AL 76	69.600
HOH 3280	380	328	520	62	82	M6	3.5	8	AN 80	AL 80	81.000
HOH 3284	400	352	540	70	90	M6	3.5	8	AN 84	AL 84	94.000
HOH 3288	410	361	560	70	90	M8	6.5	12	AN 88	AL 88	118.000
HOH 3292	430	382	580	75	95	M8	6.5	12	AN 92	AL 92	132.000
HOH 3296	450	397	620	75	95	M8	6.5	12	AN 96	AL 96	152.000
HOH 32/500	470	428	630	80	100	M8	6.5	12	AN 100	AL 100	166.000

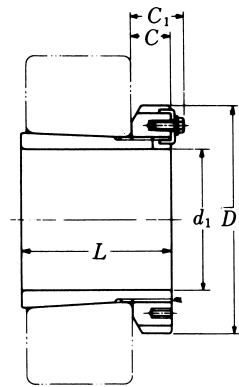
Note :

- Hydraulic adapter sleeves are supplied complete with lock nuts and lock washers or lock plates °
整組油壓緊定套附螺母及華司或鎖定片。
- Adapter with the dimension C1 have a locking device as shown in the right illustration °
標示出 C1 尺寸的套筒附鎖定裝置, 如右圖所示。

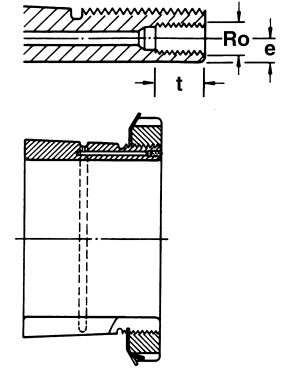
Hydraulic Adapter Sleeves



$d_1 \leq 260 \text{ mm}$



$d_1 \geq 280 \text{ mm}$



TAPER 1:12

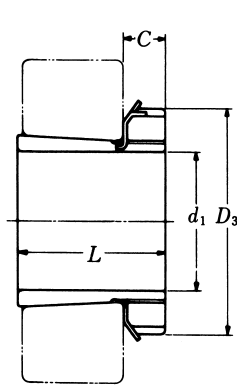
HOH 31

Hydraulic Adapter ¹⁾ Part No.	d ₁ H mm	L mm	D ₃ mm	C mm	C ₁ ²⁾ mm	R _o	e mm	t mm	Lock Nut	Lock Washer and Lock plate	Weight (kgs)
HOH 3132	140	119	210	28	—	M6	4.2	8	AN 32	AW 32	7.670
HOH 3134	150	122	220	29	—	M6	4.2	8	AN 34	AW 34	8.380
HOH 3136	160	131	230	30	—	M6	4.2	8	AN 36	AW 36	9.500
HOH 3138	170	141	240	31	—	M6	4.2	8	AN 38	AW 38	10.800
HOH 3140	180	150	250	32	—	M6	4.2	8	AN 40	AW 40	12.100
HOH 3144	200	161	280	35	—	M6	4.2	8	HN 44	AW 44	15.500
HOH 3148	220	172	300	37	—	M6	4.2	8	HN 48	AW 48	18.300
HOH 3152	240	190	330	38	—	M6	4.2	8	HN 52	AW 52	23.200
HOH 3156	260	195	350	39	—	M6	4.2	8	HN 56	AW 56	25.900
HOH 3160	280	208	380	40	53	M6	4.2	8	AN 60	AL 60	30.200
HOH 3164	300	226	400	42	56	M6	3.5	8	AN 64	AL 64	34.900
HOH 3168	320	254	440	55	72	M6	3.5	8	AN 68	AL 68	49.500
HOH 3172	340	259	460	58	75	M6	3.5	8	AN 72	AL 72	54.200
HOH 3176	360	264	490	60	77	M6	3.5	8	AN 76	AL 76	61.700
HOH 3180	380	272	520	62	82	M6	3.5	8	AN 80	AL 80	70.600
HOH 3184	400	304	540	70	90	M6	3.5	8	AN 84	AL 84	84.200
HOH 3188	410	307	560	70	90	M8	6.5	12	AN 88	AL 88	104.000
HOH 3192	430	326	580	75	95	M8	6.5	12	AN 92	AL 92	116.000
HOH 3196	450	335	620	75	95	M8	6.5	12	AN 96	AL 96	133.000
HOH 31/500	470	356	630	80	100	M8	6.5	12	AN 100	AL 100	143.000

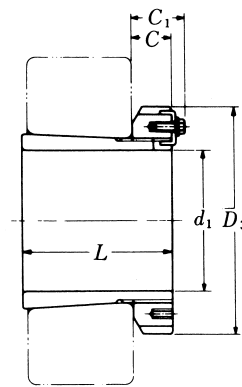
Note :

- Hydraulic adapter sleeves are supplied complete with lock nuts and lock washers or lock plates °
整組油壓緊定套附螺母及華司或鎖定片。
- Adapter with the dimension C1 have a locking device as shown in the right illustration °
標示出 C1 尺寸的套筒附鎖定裝置, 如右圖所示。

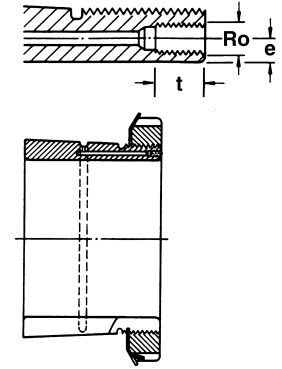
Hydraulic Adapter Sleeves



$d_1 \leq 180 \text{ mm}$



$d_1 \geq 200 \text{ mm}$



TAPER 1:12

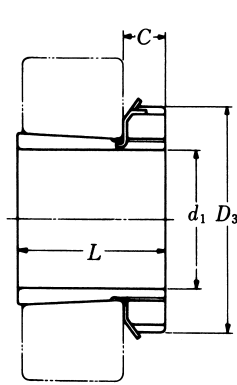
HOH 30

Hydraulic Adapter ¹⁾ Part No.	d ₁ H mm	L mm	D ₃ mm	C mm	C ₁ ²⁾ mm	Ro	e mm	t mm	Lock Nut	Lock Washer and Lock plate	Weight (kgs)
HOH 3032	140	93	190	28	—	M6	4.2	8	ANL 32	AWL 32	5.210
HOH 3034	150	101	200	29	—	M6	4.2	8	ANL 34	AWL 34	5.990
HOH 3036	160	109	210	30	—	M6	4.2	8	ANL 36	AWL 36	6.830
HOH 3038	170	112	220	31	—	M6	4.2	8	ANL 38	AWL 38	7.450
HOH 3040	180	120	240	32	—	M6	4.2	8	ANL 40	AWL 40	9.190
HOH 3044	200	126	260	30	41	M6	4.2	8	ANL 44	ALL 44	10.300
HOH 3048	220	133	290	34	46	M6	4.2	8	ANL 48	ALL 48	13.200
HOH 3052	240	145	310	34	46	M6	4.2	8	ANL 52	ALL 52	15.300
HOH 3056	260	152	330	38	50	M6	4.2	8	ANL 56	ALL 56	17.700
HOH 3060	280	168	360	42	54	M6	4.2	8	ANL 60	ALL 60	22.800
HOH 3064	300	171	380	42	55	M6	3.5	8	ANL 64	ALL 64	24.600
HOH 3068	320	187	400	45	58	M6	3.5	8	ANL 68	ALL 68	28.700
HOH 3072	340	188	420	45	58	M6	3.5	8	ANL 72	ALL 72	30.500
HOH 3076	360	193	450	48	62	M6	3.5	8	ANL 76	ALL 76	35.800
HOH 3080	380	210	470	52	66	M6	3.5	8	ANL 80	ALL 80	41.300
HOH 3084	400	212	490	52	66	M6	3.5	8	ANL 84	ALL 84	43.700
HOH 3088	410	228	520	60	77	M8	6.5	12	ANL 88	ALL 88	65.200
HOH 3092	430	234	540	60	77	M8	6.5	12	ANL 92	ALL 92	69.500
HOH 3096	450	237	560	60	77	M8	6.5	12	ANL 96	ALL 96	73.300
HOH 30/500	470	247	580	68	85	M8	6.5	12	ANL 100	ALL 100	81.800

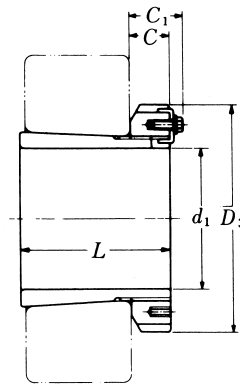
Note :

- Hydraulic adapter sleeves are supplied complete with lock nuts and lock washers or lock plates。
整組油壓緊定套附螺母及華司或鎖定片。
- Adapter with the dimension C1 have a locking device as shown in the right illustration。
標示出 C1 尺寸的套筒附鎖定裝置, 如右圖所示。

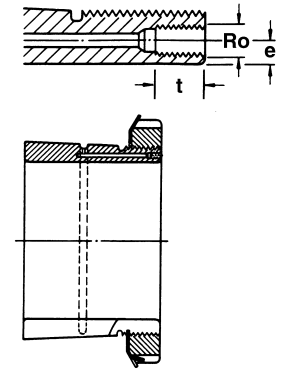
Hydraulic Adapter Sleeves



$d_1 \leq 180 \text{ mm}$



$d_1 \geq 200 \text{ mm}$



TAPER 1:12

HOH 39

Hydraulic Adapter ¹⁾ Part No.	d ₁ H mm	L mm	D ₃ mm	C mm	C ₁ ²⁾ mm	R _o	e mm	t mm	Lock Nut	Lock Washer and Lock plate	Weight (kgs)
HOH 3936	160	87	210	30	—	M6	4.2	8	ANL 36	AWL 36	5.700
HOH 3938	170	89	220	31	—	M6	4.2	8	ANL 38	AWL 38	6.190
HOH 3940	180	98	240	32	—	M6	4.2	8	ANL 40	AWL 40	7.890
HOH 3944	200	96	260	30	41	M6	4.2	8	ANL 44	ALL 44	8.160
HOH 3948	220	101	290	34	46	M6	4.2	8	ANL 48	ALL 48	10.700
HOH 3952	240	116	310	34	46	M6	4.2	8	ANL 52	ALL 52	12.800
HOH 3956	260	121	330	38	50	M6	4.2	8	ANL 56	ALL 56	14.800
HOH 3960	280	140	360	42	54	M6	4.2	8	ANL 60	ALL 60	19.800
HOH 3964	300	140	380	42	55	M6	3.5	8	ANL 64	ALL 64	21.000
HOH 3968	320	144	400	45	58	M6	3.5	8	ANL 68	ALL 68	23.500
HOH 3972	340	144	420	45	58	M6	3.5	8	ANL 72	ALL 72	24.500
HOH 3976	360	164	450	48	62	M6	3.5	8	ANL 76	ALL 76	31.500
HOH 3980	380	168	470	52	66	M6	3.5	8	ANL 80	ALL 80	35.000
HOH 3984	400	168	490	52	66	M6	3.5	8	ANL 84	ALL 84	36.600
HOH 3988	410	189	520	60	77	M8	6.5	12	ANL 88	ALL 88	57.300
HOH 3992	430	189	540	60	77	M8	6.5	12	ANL 92	ALL 92	59.900
HOH 3996	450	200	560	60	77	M8	6.5	12	ANL 96	ALL 96	64.900
HOH 39/500	470	208	580	68	85	M8	6.5	12	ANL 100	ALL 100	73.100

Note :

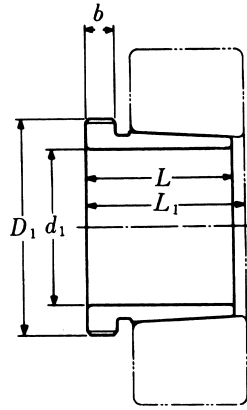
- 1) Hydraulic adapter sleeves are supplied complete with lock nuts and lock washers or lock plates °
整組油壓緊定套附螺母及華司或鎖定片。
- 2) Adapter with the dimension C1 have a locking device as shown in the right illustration °
標示出 C1 尺寸的套筒附鎖定裝置, 如右圖所示。

5
N
C
I
G

Withdrawal Sleeves Hydraulic Withdrawal Sleeves



Withdrawal Sleeves



AH 2

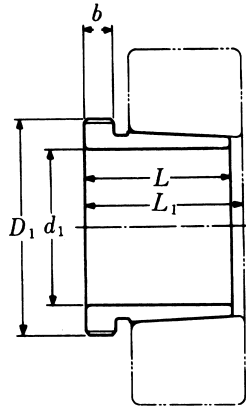
TAPER 1:12

Withdrawal Part No.	d ₁ mm	L mm	L ₁ ¹⁾ mm	b mm	Thread ²⁾ D ₁ mm	Appropriate Withdrawal Nut No.	Weight (kgs)
AH 208	35	25	27	6	M 45 × 1.5	AN 09	0.081
AH 209	40	26	29	6	M 50 × 1.5	AN 10	0.095
AH 210	45	28	31	7	M 55 × 2	AN 11	0.114
AH 211	50	29	32	7	M 60 × 2	AN 12	0.132
AH 212	55	32	35	8	M 65 × 2	AN 13	0.161
AH 213	60	32.5	36	8	M 75 × 2	AN 15	0.213
AH 214	65	33.5	37	8	M 80 × 2	AN 16	0.240
AH 215	70	34.5	38	8	M 85 × 2	AN 17	0.259
AH 216	75	35.5	39	8	M 90 × 2	AN 18	0.284
AH 217	80	38.5	42	9	M 95 × 2	AN 19	0.314
AH 218	85	40	44	9	M 100 × 2	AN 20	0.351
AH 219	90	43	47	10	M 105 × 2	AN 21	0.403
AH 220	95	45	49	10	M 110 × 2	AN 22	0.481
AH 222	105	50	54	11	M 120 × 2	AN 24	0.547

Note :

- 1) Dimension L₁ decreases as the withdrawal sleeve is driven in during mouting °
L₁ 尺寸隨退卸套鎖緊而變小。
- 2) M means metric thread °
M 代表公制螺紋。

Withdrawal Sleeves



AH 3

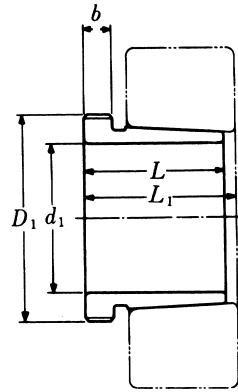
TAPER 1:12

Withdrawal Part No.	d ₁ mm	L mm	L ₁ ¹⁾ mm	b mm	Thread ²⁾ D ₁ mm	Appropriate Withdrawal Nut No.	Weight (kgs)
AH 308	35	29	32	6	M 45 × 1.5	AN 09	0.090
AH 309	40	31	34	6	M 50 × 1.5	AN 10	0.109
AHX 310	45	35	38	7	M 55 × 2	AN 11	0.137
AHX 311	50	37	40	7	M 60 × 2	AN 12	0.161
AHX 312	55	40	43	8	M 65 × 2	AN 13	0.189
AH 313	60	42	45	8	M 75 × 2	AN 15	0.253
AH 314	65	43	47	8	M 80 × 2	AN 16	0.280
AH 315	70	45	49	8	M 85 × 2	AN 17	0.313
AH 316	75	48	52	8	M 90 × 2	AN 18	0.365
AHX 317	80	52	56	9	M 95 × 2	AN 19	0.429
AHX 318	85	53	57	9	M 100 × 2	AN 20	0.461
AHX 319	90	57	61	10	M 105 × 2	AN 21	0.532
AHX 320	95	59	63	10	M 110 × 2	AN 22	0.582
AHX 322	105	63	67	12	M 120 × 2	AN 24	0.663

Note :

- 1) Dimension L₁ decreases as the withdrawal sleeve is driven in during mouting。
L₁尺寸隨退卸套鎖緊而變小。
- 2) M means metric thread。
M 代表公制螺紋。

Withdrawal Sleeves



AH 23

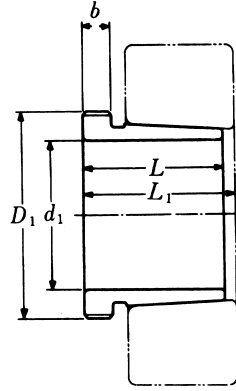
TAPER 1:12

Withdrawal Part No.	d ₁ mm	L mm	L ₁ ¹⁾ mm	b mm	Thread ²⁾ D ₁ mm	Appropriate Withdrawal Nut No.	Weight (kgs)
AH 2308	35	40	43	7	M 45 × 1.5	AN 09	0.128
AH 2309	40	44	47	7	M 50 × 1.5	AN 10	0.164
AHX 2310	45	50	53	9	M 55 × 2	AN 11	0.209
AHX 2311	50	54	57	10	M 60 × 2	AN 12	0.253
AHX 2312	55	58	61	11	M 65 × 2	AN 13	0.297
AH 2313	60	61	64	12	M 75 × 2	AN 15	0.395
AHX 2314	65	64	68	12	M 80 × 2	AN 16	0.466
AHX 2315	70	68	72	12	M 85 × 2	AN 17	0.534
AHX 2316	75	71	75	12	M 90 × 2	AN 18	0.597
AHX 2317	80	74	78	13	M 95 × 2	AN 19	0.670
AHX 2318	85	79	83	14	M 100 × 2	AN 20	0.779
AHX 2319	90	85	89	16	M 105 × 2	AN 21	0.886
AHX 2320	95	90	94	16	M 110 × 2	AN 22	0.998
AHX 2322	105	98	102	16	M 125 × 2	AN 25	1.350
AHX 2324	115	105	109	17	M 135 × 2	AN 27	1.600
AHX 2326	125	115	119	19	M 145 × 2	AN 29	1.970
AHX 2328	135	125	130	20	M 155 × 3	AN 31	2.330
AHX 2330	145	135	140	24	M 165 × 3	AN 33	2.820
AH 2332	150	140	146	24	M 180 × 3	AN 36	4.720
AH 2334	160	146	152	24	M 190 × 3	AN 38	5.250
AH 2336	170	154	160	26	M 200 × 3	AN 40	5.830
AH 2338	180	160	167	26	Tr 210 × 4	HN 42	6.630
AH 2340	190	170	177	30	Tr 220 × 4	HN 44	7.540
AH 2344	200	181	189	30	Tr 240 × 4	HN 48	13.500
AH 2348	220	189	197	30	Tr 260 × 4	HN 52	15.500
AH 2352	240	205	213	30	Tr 290 × 4	HN 58	19.600
AH 2356	260	212	220	30	Tr 310 × 5	HN 62	21.600

Note :

- 1) Dimension L₁ decreases as the withdrawal sleeve is driven in during mouting 。
L₁尺寸隨退卸套鎖緊而變小。
- 2) M means metric thread , Tr means 30°, trapezoid thread and the digits are outside diameter of thread and pitch 。
M 代表公制螺紋， Tr 代表 30°， 梯形螺紋；數字代表螺紋外徑及螺距。

Withdrawal Sleeves



AH 31

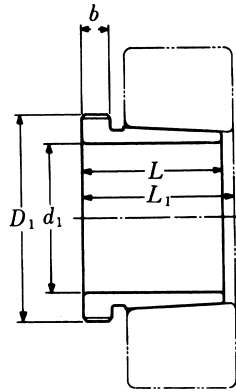
TAPER 1:12

Withdrawal Part No.	d 1 mm	L mm	L 1 ¹⁾ mm	b mm	Thread ²⁾ D 1 mm	Appropriate Withdrawal Nut No.	Weight (kgs)
AHX 3120	95	64	68	11	M 110 × 2	AN 22	0.650
AHX 3122	105	68	72	11	M 120 × 2	AN 24	0.760
AHX 3124	115	75	79	12	M 130 × 2	AN 26	0.950
AHX 3126	125	78	82	12	M 140 × 2	AN 28	1.080
AHX 3128	135	83	88	14	M 150 × 2	AN 30	1.280
AHX 3130	145	96	101	15	M 165 × 3	AN 33	1.790
AH 3132	150	103	108	16	M 180 × 3	AN 36	3.210
AH 3134	160	104	109	16	M 190 × 3	AN 38	3.400
AH 3136	170	116	122	19	M 200 × 3	AN 40	4.220
AH 3138	180	125	131	20	Tr 210 × 4	HN 42	4.890
AH 3140	190	134	140	21	Tr 220 × 4	HN 44	5.490
AH 3144	200	145	151	23	Tr 240 × 4	HN 48	10.400
AH 3148	220	154	161	25	Tr 260 × 4	HN 52	12.000
AH 3152	240	172	179	26	Tr 290 × 4	HN 58	16.200
AH 3156	260	175	183	28	Tr 310 × 5	HN 62	17.500
AH 3160	280	192	200	30	Tr 330 × 5	HN 66	20.800
AH 3164	300	209	217	31	Tr 350 × 5	HN 70	24.500
AH 3168	320	225	234	33	Tr 370 × 5	HN 74	29.000
AH 3172	340	229	238	35	Tr 400 × 5	HN 80	33.000
AH 3176	360	232	242	36	Tr 420 × 5	HN 84	35.700
AH 3180	380	240	250	38	Tr 440 × 5	HN 88	39.500
AH 3184	400	266	276	40	Tr 460 × 5	HN 92	46.500
AHX 3188	420	270	281	42	Tr 480 × 5	HN 96	49.800
AHX 3192	440	285	296	43	Tr 510 × 6	HN 102	57.900
AHX 3196	460	295	307	45	Tr 530 × 6	HN 106	63.100
AHX 31/500	480	313	325	47	Tr 550 × 6	HN 110	70.900

Note :

- 1) Dimension L1 decreases as the withdrawal sleeve is driven in during mouting。
L1尺寸隨退卸套鎖緊而變小。
- 2) M means metric thread , Tr means 30°, trapezoid thread and the digits are outside diameter of thread and pitch。
M 代表公制螺紋，Tr 代表 30°，梯形螺紋；數字代表螺紋外徑及螺距。

Withdrawal Sleeves



AH 32

TAPER 1:12

Withdrawal Part No.	d ₁ mm	L mm	L ₁ ¹⁾ mm	b mm	Thread ²⁾ D ₁ mm	Appropriate Withdrawal Nut No.	Weight (kgs)
AHX 3218	85	63	67	10	M 100 × 2	AN 20	0.576
AHX 3220	95	73	77	11	M 110 × 2	AN 22	0.767
AHX 3222	105	82	86	11	M 125 × 2	AN 25	1.040
AHX 3224	115	90	94	13	M 135 × 2	AN 27	1.300
AHX 3226	125	98	102	15	M 145 × 2	AN 29	1.580
AHX 3228	135	104	109	15	M 155 × 3	AN 31	1.840
AHX 3230	145	114	119	17	M 165 × 3	AN 33	2.220
AH 3232	150	124	130	20	M 180 × 3	AN 36	4.080
AH 3234	160	134	140	24	M 190 × 3	AN 38	4.800
AH 3236	170	140	146	25	M 200 × 3	AN 40	5.320
AH 3238	180	145	152	25	Tr 210 × 4	HN 42	5.900
AH 3240	190	153	160	24	Tr 220 × 4	HN 44	6.680
AH 3260	280	228	236	34	Tr 330 × 5	HN 66	26.000
AH 3264	300	246	254	36	Tr 350 × 5	HN 70	30.600
AH 3268	320	264	273	38	Tr 370 × 5	HN 74	35.800
AH 3272	340	274	283	40	Tr 400 × 5	HN 80	41.600
AH 3276	360	284	294	42	Tr 420 × 5	HN 84	46.300
AH 3280	380	302	312	44	Tr 440 × 5	HN 88	52.500
AH 3284	400	321	331	46	Tr 460 × 5	HN 92	59.700
AHX 3288	420	330	341	48	Tr 480 × 5	HN 96	64.800
AHX 3292	440	349	360	50	Tr 510 × 6	HN 102	75.200
AHX 3296	460	364	376	52	Tr 530 × 6	HN 106	83.100
AHX 32/500	480	393	405	54	Tr 550 × 6	HN 110	94.700

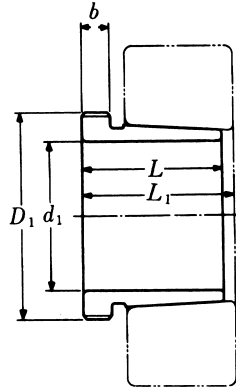
Note :

1) Dimension L₁ decreases as the withdrawal sleeve is driven in during mouting .

L₁尺寸隨退卸套鎖緊而變小。

2) M means metric thread , Tr means 30° , trapezoid thread and the digits are outside diameter of thread and pitch . M 代表公制螺紋 , Tr 代表 30° , 梯形螺紋 ; 數字代表螺紋外徑及螺距。

Withdrawal Sleeves



AH 22

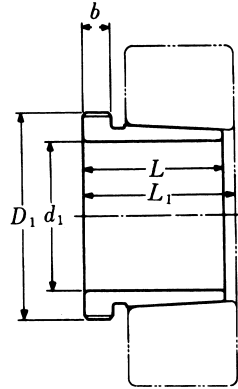
TAPER 1:12

Withdrawal Part No.	d1 mm	L mm	L1 ¹⁾ mm	b mm	Thread ²⁾ D 1 mm	Appropriate Withdrawal Nut No.	Weight (kgs)
AH 2236	170	105	110	17	M 200 × 3	AN 40	3.730
AH 2238	180	112	117	18	Tr 210 × 4	HN 42	4.250
AH 2240	190	118	123	19	Tr 220 × 4	HN 44	4.680
AH 2244	200	130	136	20	Tr 240 × 4	HN 48	9.100
AH 2248	220	144	150	21	Tr 260 × 4	HN 52	11.100
AH 2252	240	155	161	23	Tr 290 × 4	HN 58	14.000
AH 2256	260	155	163	24	Tr 310 × 5	HN 62	15.200
AH 2260	280	170	178	26	Tr 330 × 5	HN 66	18.100
AH 2264	300	180	190	27	Tr 350 × 5	HN 70	20.200

Note :

- 1) Dimension L1 decreases as the withdrawal sleeve is driven in during mouting。
L1尺寸隨退卸套鎖緊而變小。
- 2) M means metric thread , Tr means 30°, trapezoid thread and the digits are outside diameter of thread and pitch。
M 代表公制螺紋; Tr 代表 30°, 梯形螺紋; 數字代表螺紋外徑及螺距。

Withdrawal Sleeves



AH 30

TAPER 1:12

Withdrawal Part No.	d ₁ mm	L mm	L ₁ ¹⁾ mm	b mm	Thread ²⁾ D ₁ mm	Appropriate Withdrawal Nut No.	Weight (kgs)
AHX 3024	115	60	64	13	M 130 × 2	AN 26	0.750
AHX 3026	125	67	71	14	M 140 × 2	AN 28	0.930
AHX 3028	135	68	73	14	M 150 × 2	AN 30	1.010
AHX 3030	145	72	77	15	M 160 × 3	AN 32	1.150
AH 3032	150	77	82	16	M 170 × 3	AN 34	2.060
AH 3034	160	85	90	17	M 180 × 3	AN 36	2.430
AH 3036	170	92	98	17	M 190 × 3	AN 38	2.810
AH 3038	180	96	102	18	Tr 205 × 4	HNL 41	3.320
AH 3040	190	102	108	19	Tr 215 × 4	HNL 43	3.800
AH 3044	200	111	117	20	Tr 235 × 4	HNL 47	7.400
AH 3048	220	116	123	21	Tr 260 × 4	HNL 52	8.750
AH 3052	240	128	135	23	Tr 280 × 4	HNL 56	10.700
AH 3056	260	131	139	24	Tr 300 × 4	HNL 60	12.000
AH 3060	280	145	153	26	Tr 320 × 5	HNL 64	14.400
AH 3064	300	149	157	27	Tr 345 × 5	HNL 69	16.000
AH 3068	320	162	171	28	Tr 365 × 5	HNL 73	19.500
AH 3072	340	167	176	30	Tr 385 × 5	HNL 77	21.000
AH 3076	360	170	180	31	Tr 410 × 5	HNL 82	23.200
AH 3080	380	183	193	33	Tr 430 × 5	HNL 86	27.300
AH 3084	400	186	196	34	Tr 450 × 5	HNL 90	29.000
AHX 3088	420	194	205	35	Tr 470 × 5	HNL 94	32.000
AHX 3092	440	202	213	37	Tr 490 × 5	HNL 98	35.200
AHX 3096	460	205	217	38	Tr 520 × 6	HNL 104	39.200
AHX 30/500	480	209	221	40	Tr 540 × 6	HNL 108	42.500

Note :

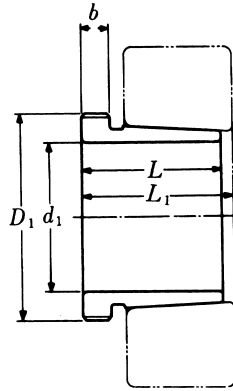
1) Dimension L1 decreases as the withdrawal sleeve is driven in during mouting °

L1 尺寸隨退卸套鎖緊而變小。

2) M means metric thread , Tr means 30°, trapezoid thread and the digits are outside diameter of thread and pitch °

M 代表公制螺紋，Tr 代表 30°，梯形螺紋；數字代表螺紋外徑及螺距。

Withdrawal Sleeves



AH 240

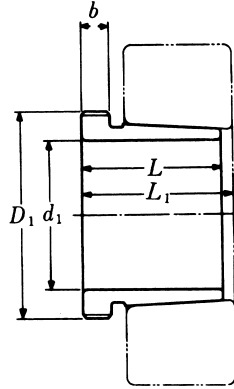
TAPER 1:30

Withdrawal Part No.	d ₁ mm	L mm	L ₁ ¹⁾ mm	b mm	Thread ²⁾ D ₁ mm	Appropriate Withdrawal Nut No.	Weight (kgs)
AH 24024	115	73	82	13	M 125 × 2	AN 25	0.650
AH 24026	125	83	93	14	M 135 × 2	AN 27	0.840
AH 24028	135	83	93	14	M 145 × 2	AN 29	0.910
AH 24030	145	90	101	15	M 155 × 3	AN 31	1.040
AH 24032	150	95	106	15	M 170 × 3	AN 34	2.330
AH 24034	160	106	117	16	M 180 × 3	AN 36	2.800
AH 24036	170	116	127	16	M 190 × 3	AN 38	3.100
AH 24038	180	118	131	18	M 200 × 3	AN 40	3.500
AH 24040	190	127	140	18	Tr 210 × 4	HN 42	3.930
AH 24044	200	138	152	18	Tr 230 × 4	HN 46	8.250
AH 24048	220	138	153	20	Tr 250 × 4	HN 50	9.000
AH 24052	240	162	178	20	Tr 270 × 4	HN 54	11.800
AH 24056	260	162	179	22	Tr 290 × 4	HN 58	12.800
AH 24060	280	184	202	24	Tr 310 × 5	HN 62	15.500
AH 24064	300	184	202	24	Tr 330 × 5	HN 66	16.600
AH 24068	320	206	225	26	Tr 360 × 5	HNL 72	21.700
AH 24072	340	206	226	26	Tr 380 × 5	HNL 76	22.700
AH 24076	360	208	228	28	Tr 400 × 5	HNL 80	23.700
AH 24080	380	228	248	28	Tr 420 × 5	HNL 84	27.100
AH 24084	400	230	252	30	Tr 440 × 5	HNL 88	29.000
AH 24088	420	242	264	30	Tr 460 × 5	HNL 92	31.900
AH 24092	440	250	273	32	Tr 480 × 5	HNL 96	34.700
AH 24096	460	250	273	32	Tr 500 × 5	HNL 100	36.600
AH 240/500	480	253	276	35	Tr 520 × 6	HNL 104	39.500

Note :

- 1) Dimension L₁ decreases as the withdrawal sleeve is driven in during mouting。
L₁尺寸隨退卸套鎖緊而變小。
- 2) M means metric thread , Tr means 30°, trapezoid thread and the digits are outside diameter of thread and pitch。
M 代表公制螺紋, Tr 代表 30°, 梯形螺紋；數字代表螺紋外徑及螺距。

Withdrawal Sleeves



AH 241

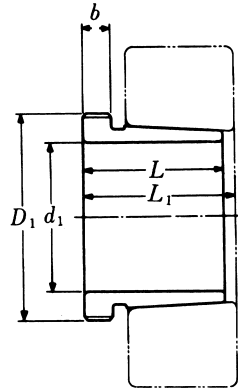
TAPER 1:30

Withdrawal Part No.	d ₁ mm	L mm	L ₁ ¹⁾ mm	b mm	Thread ²⁾ D ₁ mm	Appropriate Withdrawal Nut No.	Weight (kgs)
AH 24122	105	82	91	13	M 115 × 2	AN 23	0.730
AH 24124	115	93	102	13	M 130 × 2	AN 26	1.000
AH 24126	125	94	104	14	M 140 × 2	AN 28	1.110
AH 24128	135	99	109	14	M 150 × 2	AN 30	1.250
AH 24130	145	115	126	15	M 160 × 3	AN 32	1.560
AH 24132	150	124	135	15	M 170 × 3	AN 34	3.000
AH 24134	160	125	136	16	M 180 × 3	AN 36	3.210
AH 24136	170	134	145	16	M 190 × 3	AN 38	3.680
AH 24138	180	146	159	18	M 200 × 3	AN 40	4.280
AH 24140	190	158	171	18	Tr 210 × 4	HN 42	5.100
AH 24144	200	170	184	20	Tr 230 × 4	HN 46	10.200
AH 24148	220	180	195	20	Tr 260 × 4	HN 52	12.500
AH 24152	240	202	218	22	Tr 280 × 4	HN 56	15.400
AH 24156	260	202	219	22	Tr 300 × 4	HN 60	16.300
AH 24160	280	224	242	24	Tr 320 × 5	HN 64	19.500
AH 24164	300	242	260	24	Tr 340 × 5	HN 68	21.400
AH 24168	320	269	288	26	Tr 360 × 5	HN 72	27.100
AH 24172	340	269	289	26	Tr 380 × 5	HN 76	29.600
AH 24176	360	271	291	28	Tr 400 × 5	HN 80	31.300
AH 24180	380	278	298	28	Tr 420 × 5	HN 84	34.400
AH 24184	400	310	332	30	Tr 440 × 5	HN 88	40.300
AH 24188	420	310	332	30	Tr 460 × 5	HN 92	42.300
AH 24192	440	332	355	32	Tr 480 × 5	HN 96	47.600
AH 24196	460	343	368	35	Tr 500 × 5	HN 100	52.700
AH 241/500	480	362	387	37	Tr 520 × 6	HN 104	58.800

Note :

- 1) Dimension L₁ decreases as the withdrawal sleeve is driven in during mouting 。
L₁尺寸隨退卸套鎖緊而變小。
- 2) M means metric thread Tr means 30°, trapezoid thread and the digits are outside diameter of thread and pitch 。
M 代表公制螺紋,Tr 代表 30°, 梯形螺紋；數字代表螺紋外徑及螺距。

Withdrawal Sleeves



AH 39

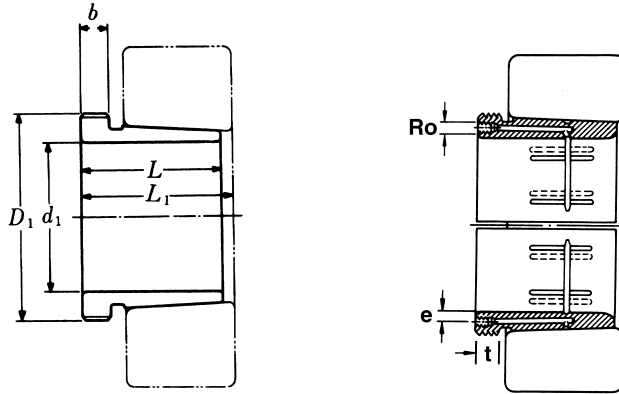
TAPER 1:12

Withdrawal Part No.	d ₁ mm	L mm	L ₁ ¹⁾ mm	b mm	Thread ²⁾ D ₁ mm	Appropriate Withdrawal Nut No.	Weight (kgs)
AH 3936	170	66	71	13	M 190 × 3	AN 38	1.910
AH 3938	180	66	71	13	M 200 × 3	AN 40	2.020
AH 3940	190	77	83	16	Tr 210 × 4	HN 42	2.620
AH 3944	200	77	83	16	Tr 230 × 4	HN 46	4.830
AH 3948	220	77	83	16	Tr 250 × 4	HN 50	5.290
AH 3952	240	94	100	18	Tr 270 × 4	HN 54	7.060
AH 3956	260	94	100	18	Tr 290 × 4	HN 58	7.700
AH 3960	280	112	119	21	Tr 310 × 5	HN 62	10.100
AH 3964	300	112	119	21	Tr 330 × 5	HN 66	10.800
AH 3968	320	112	119	21	Tr 360 × 5	HNL 72	12.400
AH 3972	340	112	119	21	Tr 380 × 5	HNL 76	13.100
AH 3976	360	130	138	22	Tr 400 × 5	HNL 80	15.900
AH 3980	380	130	138	22	Tr 420 × 5	HNL 84	17.200
AH 3984	400	130	138	22	Tr 440 × 5	HNL 88	18.100
AH 3988	420	145	153	25	Tr 460 × 5	HNL 92	21.500
AH 3992	440	145	153	25	Tr 480 × 5	HNL 96	22.500
AH 3996	460	158	167	28	Tr 500 × 5	HNL100	26.000
AH 39/500	480	162	172	32	Tr 520 × 6	HNL104	27.700

Note :

- 1) Dimension L₁ decreases as the withdrawal sleeve is driven in during mouting。
L₁尺寸隨退卸套鎖緊而變小。
- 2) M means metric thread ,Tr means 30° trapezoid thread and the digits are outside diameter of thread and pitch。
M 代表公制螺紋，Tr 代表 30° 梯形螺紋；數字代表螺紋及螺距及外徑。

Hydraulic Withdrawal Sleeves



AOH 23

TAPER 1:12

Hydraulic Withdrawal Part No.	d ₁ mm	L mm	L ₁ ¹⁾ mm	b mm	R _o	e mm	t mm	Thread ²⁾ D ₁ mm	Appropriate Withdrawal Nut No.	Weight (kgs)
AOH 2332	150	140	146	24	M6	4.5	8	M 180 × 3	AN 36	4.720
AOH 2334	160	146	152	24	M6	4.5	8	M 190 × 3	AN 38	5.250
AOH 2336	170	154	160	26	M6	4.5	8	M 200 × 3	AN 40	5.830
AOH 2338	180	160	167	26	M6	4.5	8	Tr 210 × 4	HN 42	6.630
AOH 2340	190	170	177	30	M6	4.5	8	Tr 220 × 4	HN 44	7.540
AOH 2344	200	181	189	30	G ^{1/8}	8.5	12	Tr 240 × 4	HN 48	13.500
AOH 2348	220	189	197	30	G ^{1/8}	8.5	12	Tr 260 × 4	HN 52	15.500
AOH 2352	240	205	213	30	G ^{1/8}	8.5	12	Tr 290 × 4	HN 58	19.600
AOH 2356	260	212	220	30	G	8.5	12	Tr 310 × 5	HN 62	21.600

Note :

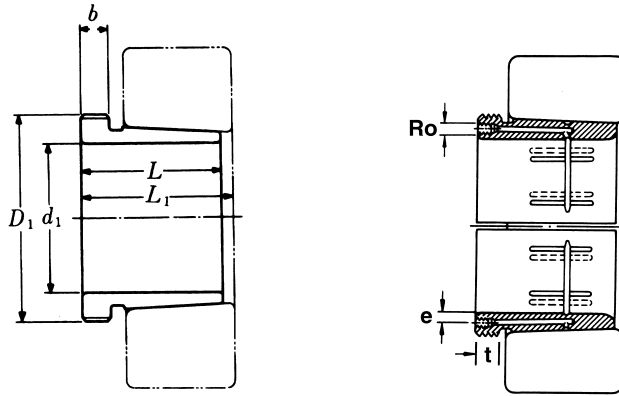
1) Dimension L₁ decreases as the Hydraulic withdrawal sleeve is driven in during mouting °

L₁尺寸隨油壓退卸套鎖緊而變小。

2) M means metric thread , Tr means 30°, trapezoid thread and the digits are outside diameter of thread and pitch °

M 代表公制螺紋， Tr 代表 30°， 梯形螺紋； 數字代表螺紋外徑及螺距。

Hydraulic Withdrawal Sleeves



AOH 31

TAPER 1:12

Hydraulic Withdrawal Part No.	d ₁ mm	L mm	L ₁ ¹⁾ mm	b mm	R _o	e mm	t mm	Thread ²⁾ D ₁ mm	Appropriate Withdrawal Nut No.	Weight (kgs)
AOH 3132	150	103	108	16	M6	4.5	8	M 180 × 3	AN 36	3.210
AOH 3134	160	104	109	16	M6	4.5	8	M 190 × 3	AN 38	3.400
AOH 3136	170	116	122	19	M6	4.5	8	M 200 × 3	AN 40	4.220
AOH 3138	180	125	131	20	M6	4.5	8	Tr 210 × 4	HN 42	4.890
AOH 3140	190	134	140	21	M6	4.5	8	Tr 220 × 4	HN 44	5.490
AOH 3144	200	145	151	23	G $\frac{1}{8}$	8.5	12	Tr 240 × 4	HN 48	10.400
AOH 3148	220	154	161	25	G $\frac{1}{8}$	8.5	12	Tr 260 × 4	HN 52	12.000
AOH 3152	240	172	179	26	G $\frac{1}{8}$	8.5	12	Tr 290 × 4	HN 58	16.200
AOH 3156	260	175	183	28	G $\frac{1}{8}$	8.5	12	Tr 310 × 5	HN 62	17.500
AOH 3160	280	192	200	30	G $\frac{1}{8}$	8.5	12	Tr 330 × 5	HN 66	20.800
AOH 3164	300	209	217	31	G $\frac{1}{8}$	8.5	12	Tr 350 × 5	HN 70	24.500
AOH 3168	320	225	234	33	G $\frac{1}{8}$	8.5	12	Tr 370 × 5	HN 74	29.000
AOH 3172	340	229	238	35	G $\frac{1}{8}$	8.5	12	Tr 400 × 5	HN 80	33.000
AOH 3176	360	232	242	36	G $\frac{1}{8}$	8.5	12	Tr 420 × 5	HN 84	35.700
AOH 3180	380	240	250	38	G $\frac{1}{8}$	8.5	12	Tr 440 × 5	HN 88	39.500
AOH 3184	400	266	276	40	G $\frac{1}{8}$	8.5	12	Tr 460 × 5	HN 92	46.500
AOH 3188	420	270	281	42	G $\frac{1}{8}$	8.5	12	Tr 480 × 5	HN 96	49.800
AOH 3192	440	285	296	43	G $\frac{1}{8}$	8.5	12	Tr 510 × 6	HN 102	57.900
AOH 3196	460	295	307	45	G $\frac{1}{8}$	8.5	12	Tr 530 × 6	HN 106	63.100
AOH 31/500	480	313	325	47	G $\frac{1}{8}$	8.5	12	Tr 550 × 6	HN 110	70.900

Note :

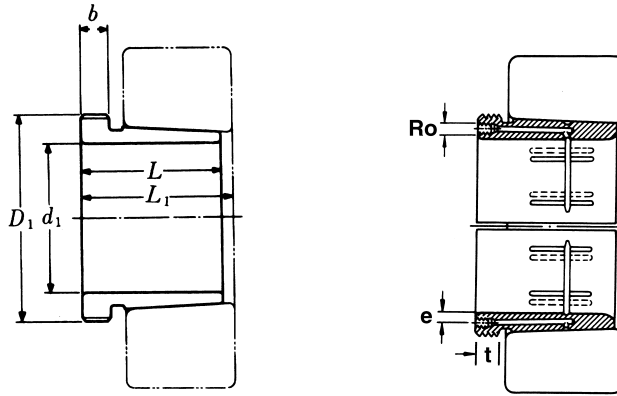
1) Dimension L₁ decreases as the Hydraulic withdrawal sleeve is driven in during mouting °

L₁尺寸隨油壓退卸套鎖緊而變小。

2) M means metric thread , Tr means 30°, trapezoid thread and the digits are outside diameter of thread and pitch °

M 代表公制螺紋，Tr 代表 30°，梯形螺紋；數字代表螺紋外徑及螺距。

Hydraulic Withdrawal Sleeves



AOH 32

TAPER 1:12

Hydraulic Withdrawal Part No.	d ₁ mm	L mm	L ₁ ¹⁾ mm	b mm	R _o	e mm	t mm	Thread ²⁾ D ₁ mm	Appropriate Withdrawal Nut No.	Weight (kgs)
AOH 3232	150	124	130	20	M6	4.5	8	M 180 × 3	AN 36	4.080
AOH 3234	160	134	140	24	M6	4.5	8	M 190 × 3	AN 38	4.800
AOH 3236	170	140	146	25	M6	4.5	8	M 200 × 3	AN 40	5.320
AOH 3238	180	145	152	25	M6	4.5	8	Tr 210 × 4	HN 42	5.900
AOH 3240	190	153	160	24	M6	4.5	8	Tr 220 × 4	HN 44	6.680
AOH 3260	280	228	236	34	G $\frac{1}{8}$	8.5	12	Tr 330 × 5	HN 66	26.000
AOH 3264	300	246	254	36	G $\frac{1}{8}$	8.5	12	Tr 350 × 5	HN 70	30.600
AOH 3268	320	264	273	38	G $\frac{1}{8}$	8.5	12	Tr 370 × 5	HN 74	35.800
AOH 3272	340	274	283	40	G $\frac{1}{8}$	8.5	12	Tr 400 × 5	HN 80	41.600
AOH 3276	360	284	294	42	G $\frac{1}{8}$	8.5	12	Tr 420 × 5	HN 84	46.300
AOH 3280	380	302	312	44	G $\frac{1}{8}$	8.5	12	Tr 440 × 5	HN 88	52.500
AOH 3284	400	321	331	46	G $\frac{1}{8}$	8.5	12	Tr 460 × 5	HN 92	59.700
AOH 3288	420	330	341	48	G $\frac{1}{8}$	8.5	12	Tr 480 × 5	HN 96	64.800
AOH 3292	440	349	360	50	G $\frac{1}{8}$	8.5	12	Tr 510 × 6	HN 102	75.200
AOH 3296	460	364	376	52	G $\frac{1}{8}$	8.5	12	Tr 530 × 6	HN 106	83.100
AOH 32/500	480	393	405	54	G $\frac{1}{8}$	8.5	12	Tr 550 × 6	HN 110	94.700

Note :

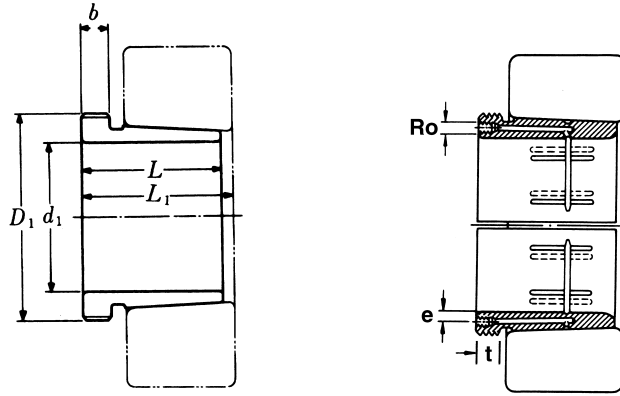
1) Dimension L₁ decreases as the Hydraulic withdrawal sleeve is driven in during mouting °

L₁尺寸隨油壓退卸套鎖緊而變小。

2) M means metric thread , Tr means 30°, trapezoid thread and the digits are outside diameter of thread and pitch °

M 代表公制螺紋， Tr 代表 30°， 梯形螺紋； 數字代表螺紋外徑及螺距。

Hydraulic Withdrawal Sleeves



AOH 22

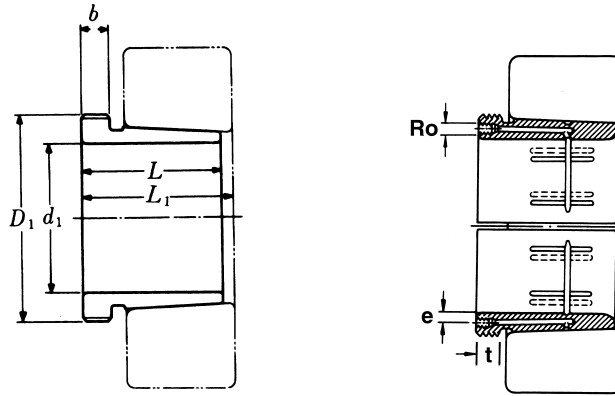
TAPER 1:12

Hydraulic Withdrawal Part No.	d ₁ mm	L mm	L ₁ ¹⁾ mm	b mm	R _o	e mm	t mm	Thread ²⁾ D ₁ mm	Appropriate Withdrawal Nut No.	Weight (kgs)
AOH 2236	170	105	110	17	M6	4.5	8	M 200 × 3	AN 40	3.730
AOH 2238	180	112	117	18	M6	4.5	8	Tr 210 × 4	HN 42	4.250
AOH 2240	190	118	123	19	M6	4.5	8	Tr 220 × 4	HN 44	4.680
AOH 2244	200	130	136	20	G 1/8	8.5	12	Tr 240 × 4	HN 48	9.100
AOH 2248	220	144	150	21	G 1/8	8.5	12	Tr 260 × 4	HN 52	11.100
AOH 2252	240	155	161	23	G 1/8	8.5	12	Tr 290 × 4	HN 58	14.000
AOH 2256	260	155	163	24	G 1/8	8.5	12	Tr 310 × 4	HN 62	15.200
AOH 2260	280	170	178	26	G 1/8	8.5	12	Tr 330 × 4	HN 66	18.100
AOH 2264	300	180	190	27	G 1/8	8.5	12	Tr 350 × 4	HN 70	20.200

Note :

- 1) Dimension L₁ decreases as the Hydraulic withdrawal sleeve is driven in during mouting 。
L₁尺寸隨油壓退卸套鎖緊而變小。
- 2) M means metric thread , Tr means 30° , trapezoid thread and the digits are outside diameter of thread and pitch 。
M 代表公制螺紋 , Tr 代表 30° , 梯形螺紋 ; 數字代表螺紋外徑及螺距。

Hydraulic Withdrawal Sleeves



AOH 30

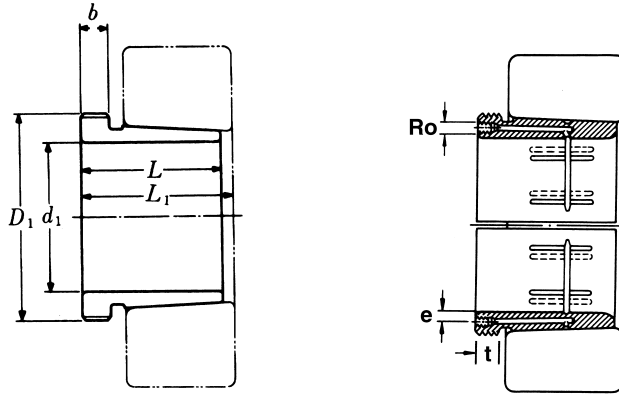
TAPER 1:12

Hydraulic Withdrawal Part No.	d ₁ mm	L mm	L ₁ ¹⁾ mm	b mm	R _o	e mm	t mm	Thread ²⁾ D ₁ mm	Appropriate Withdrawal Nut No.	Weight (kgs)
AOH 3032	150	77	82	16	M6	4.2	8	M 170 × 3	AN 34	2.060
AOH 3034	160	85	90	17	M6	4.2	8	M 180 × 3	AN 36	2.430
AOH 3036	170	92	98	17	M6	4.2	8	M 190 × 3	AN 38	2.810
AOH 3038	180	96	102	18	M6	4.2	8	Tr 205 × 4	HNL 41	3.320
AOH 3040	190	102	108	19	M6	4.2	8	Tr 215 × 4	HNL 43	3.800
AOH 3044	200	111	117	20	G 1/8	8.5	12	Tr 235 × 4	HNL 47	7.400
AOH 3048	220	116	123	21	G 1/8	8.5	12	Tr 260 × 4	HNL 52	8.750
AOH 3052	240	128	135	23	G 1/8	8.5	12	Tr 280 × 4	HNL 56	10.700
AOH 3056	260	131	139	24	G 1/8	8.5	12	Tr 300 × 4	HNL 60	12.000
AOH 3060	280	145	153	26	G 1/8	8.5	12	Tr 320 × 5	HNL 64	14.400
AOH 3064	300	149	157	27	G 1/8	8.5	12	Tr 345 × 5	HNL 69	16.000
AOH 3068	320	162	171	28	G 1/8	8.5	12	Tr 365 × 5	HNL 73	19.500
AOH 3072	340	167	176	30	G 1/8	8.5	12	Tr 385 × 5	HNL 77	21.000
AOH 3076	360	170	180	31	G 1/8	8.5	12	Tr 410 × 5	HNL 82	23.200
AOH 3080	380	183	193	33	G 1/8	8.5	12	Tr 430 × 5	HNL 86	27.300
AOH 3084	400	186	196	34	G 1/8	8.5	12	Tr 450 × 5	HNL 90	29.000
AOH 3088	420	194	205	35	G 1/8	8.5	12	Tr 470 × 5	HNL 94	32.000
AOH 3092	440	202	213	37	G 1/8	8.5	12	Tr 490 × 5	HNL 98	35.200
AOH 3096	460	205	217	38	G 1/8	8.5	12	Tr 520 × 6	HNL 104	39.200
AOH 30/500	480	209	221	40	G 1/8	8.5	12	Tr 540 × 6	HNL 108	42.500

Note :

- 1) Dimension L1 decreases as the Hydraulic withdrawal sleeve is driven in during mouting 。
L1尺寸隨油壓退卸套鎖緊而變小。
- 2) M means metric thread , Tr means 30° , trapezoid thread and the digits are outside diameter of thread and pitch 。
M 代表公制螺紋 , Tr 代表 30° , 梯形螺紋 ; 數字代表螺紋外徑及螺距。

Hydraulic Withdrawal Sleeves



AOH 240

TAPER 1:30

Hydraulic Withdrawal Part No.	d ₁ mm	L mm	L ₁ ¹⁾ mm	b mm	R _o	e mm	t mm	Thread ²⁾ D ₁ mm	Appropriate Withdrawal Nut No.	Weight (kgs)
AOH 24044	200	138	152	18	M6	8	8	Tr 230 × 4	HN 46	8.250
AOH 24048	220	138	153	20	M6	8	8	Tr 250 × 4	HN 50	9.000
AOH 24052	240	162	178	20	M6	8	8	Tr 270 × 4	HN 54	11.800
AOH 24056	260	162	179	22	M6	8	8	Tr 290 × 4	HN 58	12.800
AOH 24060	280	184	202	24	M6	8	8	Tr 310 × 5	HN 62	15.500
AOH 24064	300	184	202	24	M6	8	8	Tr 330 × 5	HN 66	16.600
AOH 24068	320	206	225	26	G 1/8	8.5	12	Tr 360 × 5	HNL 72	21.700
AOH 24072	340	206	226	26	G 1/8	8.5	12	Tr 380 × 5	HNL 76	22.700
AOH 24076	360	208	228	28	G 1/8	8.5	12	Tr 400 × 5	HNL 80	23.700
AOH 24080	380	228	248	28	G 1/8	8.5	12	Tr 420 × 5	HNL 84	27.100
AOH 24084	400	230	252	30	G 1/8	8.5	12	Tr 440 × 5	HNL 88	29.000
AOH 24088	420	242	264	30	G 1/8	8.5	12	Tr 460 × 5	HNL 92	31.900
AOH 24092	440	250	273	32	G 1/8	8.5	12	Tr 480 × 5	HNL 96	34.700
AOH 24096	460	250	273	32	G 1/8	8.5	12	Tr 500 × 5	HNL 100	36.600
AOH 240/500	480	253	276	35	G 1/8	8.5	12	Tr 520 × 6	HNL 104	39.500

Note :

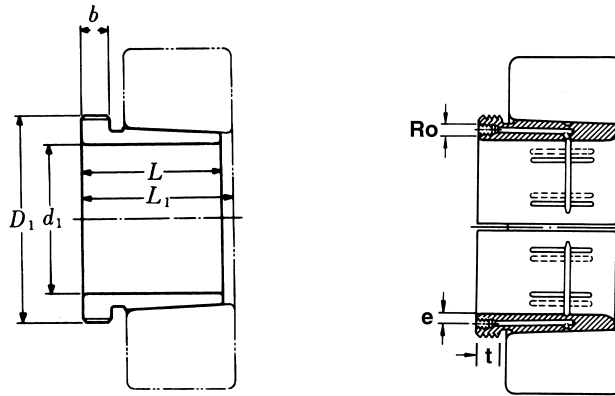
1) Dimension L₁ decreases as the Hydraulic withdrawal sleeve is driven in during mouting °

L₁尺寸隨油壓退卸套鎖緊而變小。

2) M means metric thread , Tr means 30°, trapezoid thread and the digits are outside diameter of thread and pitch °

M 代表公制螺紋， Tr 代表 30°， 梯形螺紋； 數字代表螺紋外徑及螺距。

Hydraulic Withdrawal Sleeves



AOH 241

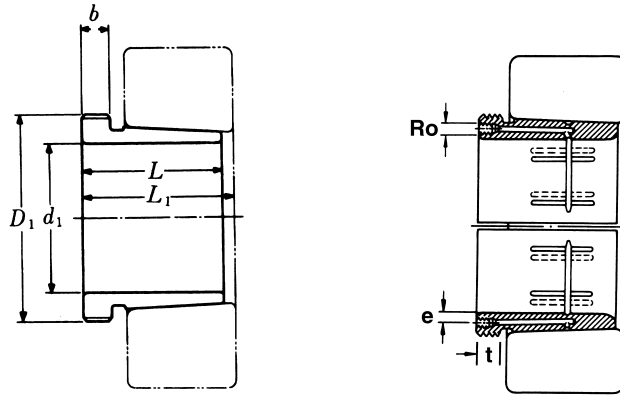
TAPER 1:30

Hydraulic Withdrawal Part No.	d ₁ mm	L mm	L ₁ ¹⁾ mm	b mm	R _o	e mm	t mm	Thread ²⁾ D ₁ mm	Appropriate Withdrawal Nut No.	Weight (kgs)
AOH 24144	200	170	184	20	M6	8	8	Tr 230 × 4	HN 46	10.200
AOH 24148	220	180	195	20	G 1/8	8.5	12	Tr 260 × 4	HN 52	12.500
AOH 24152	240	202	218	22	G 1/8	8.5	12	Tr 280 × 4	HN 56	15.400
AOH 24156	260	202	219	22	G 1/8	8.5	12	Tr 300 × 4	HN 60	16.300
AOH 24160	280	224	242	24	G 1/8	8.5	12	Tr 320 × 5	HN 64	19.500
AOH 24164	300	242	260	24	G 1/8	8.5	12	Tr 340 × 5	HN 68	21.400
AOH 24168	320	269	288	26	G 1/8	8.5	12	Tr 360 × 5	HN 72	27.100
AOH 24172	340	269	289	26	G 1/8	8.5	12	Tr 380 × 5	HN 76	29.600
AOH 24176	360	271	291	28	G 1/8	8.5	12	Tr 400 × 5	HN 80	31.300
AOH 24180	380	278	298	28	G 1/8	8.5	12	Tr 420 × 5	HN 84	34.400
AOH 24184	400	310	332	30	G 1/8	8.5	12	Tr 440 × 5	HN 88	40.300
AOH 24188	420	310	332	30	G 1/8	8.5	12	Tr 460 × 5	HN 92	42.300
AOH 24192	440	332	355	32	G 1/8	8.5	12	Tr 480 × 5	HN 96	47.600
AOH 24196	460	343	368	35	G 1/8	8.5	12	Tr 500 × 5	HN 100	52.700
AOH 241/500	480	362	387	37	G 1/8	8.5	12	Tr 520 × 6	HN 104	58.800

Note :

- 1) Dimension L₁ decreases as the Hydraulic withdrawal sleeve is driven in during mouting 。
L₁尺寸隨油壓退卸套鎖緊而變小。
- 2) M means metric thread , Tr means 30°, trapezoid thread and the digits are outside diameter of thread and pitch 。
M 代表公制螺紋， Tr 代表 30°， 梯形螺紋； 數字代表螺紋外徑及螺距。

Hydraulic Withdrawal Sleeves



AOH 39

TAPER 1:12

Hydraulic Withdrawal Part No.	d ₁ mm	L mm	L ₁ ¹⁾ mm	b mm	R _o	e mm	t mm	Thread ²⁾ D ₁ mm	Appropriate Withdrawal Nut No.	Weight (kgs)
AOH 3944	200	77	83	16	M8	7.5	12	Tr 230 × 4	HN 46	4.830
AOH 3948	220	77	83	16	M8	7.5	12	Tr 250 × 4	HN 50	5.290
AOH 3952	240	94	100	18	M8	7.5	12	Tr 270 × 4	HN 54	7.060
AOH 3956	260	94	100	18	M8	7.5	12	Tr 290 × 4	HN 58	7.070
AOH 3960	280	112	119	21	M8	7.5	12	Tr 310 × 5	HN 62	10.100
AOH 3964	300	112	119	21	M8	7.5	12	Tr 330 × 5	HN 66	10.800
AOH 3968	320	112	119	21	M8	7.5	12	Tr 360 × 5	HNL 72	12.400
AOH 3972	340	112	119	21	M8	7.5	12	Tr 380 × 5	HNL 76	13.100
AOH 3976	360	130	138	22	M8	7.5	12	Tr 400 × 5	HNL 80	15.900
AOH 3980	380	130	138	22	M8	7.5	12	Tr 420 × 5	HNL 84	17.200
AOH 3984	400	130	138	22	M8	7.5	12	Tr 440 × 5	HNL 88	18.100
AOH 3988	420	145	153	25	G 1/8	8.5	12	Tr 460 × 5	HNL 92	21.500
AOH 3992	440	145	153	25	G 1/8	8.5	12	Tr 480 × 5	HNL 96	22.500
AOH 3996	460	158	167	28	G 1/8	8.5	12	Tr 500 × 5	HNL 100	26.000
AOH 39/500	480	162	172	32	G 1/8	8.5	12	Tr 520 × 6	HNL 104	27.700

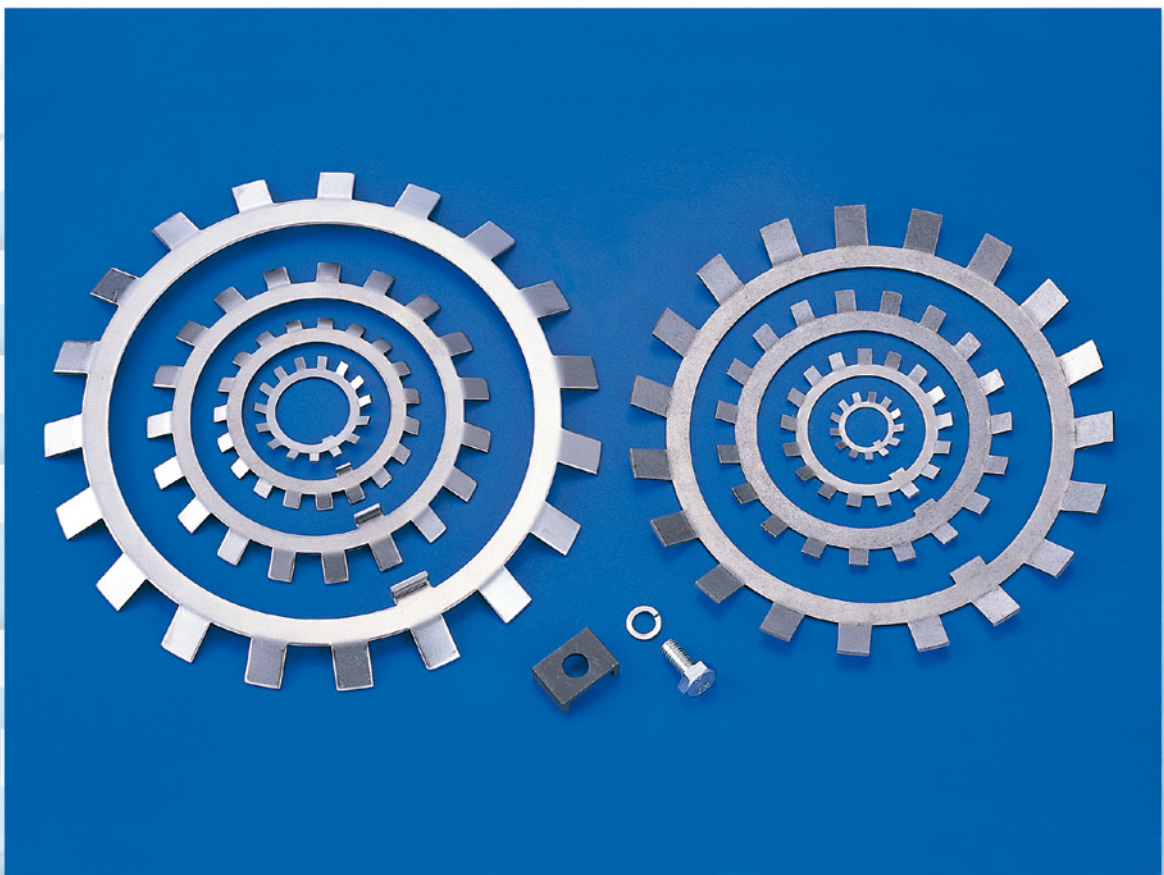
Note :

- 1) Dimension L₁ decreases as the Hydraulic withdrawal sleeve is driven in during mouting 。
L₁尺寸隨油壓退卸套鎖緊而變小。
- 2) M means metric thread , Tr means 30° , trapezoid thread and the digits are outside diameter of thread and pitch 。
M 代表公制螺紋 , Tr 代表 30° , 梯形螺紋 ; 數字代表螺紋外徑及螺距。

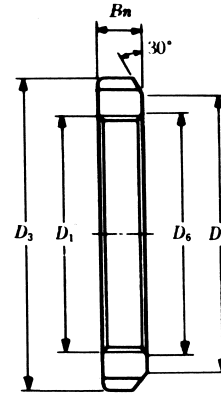
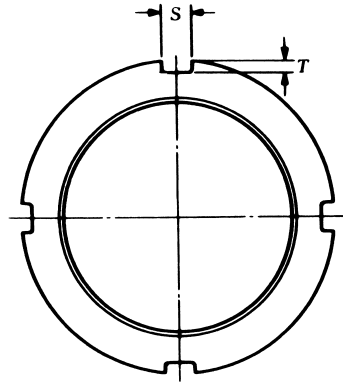
LOCKNUTS



LOCKWASHERS / LOCKPLATES



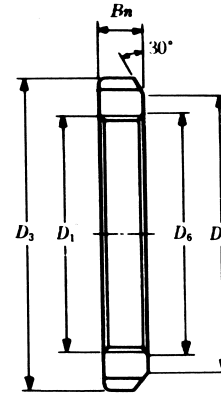
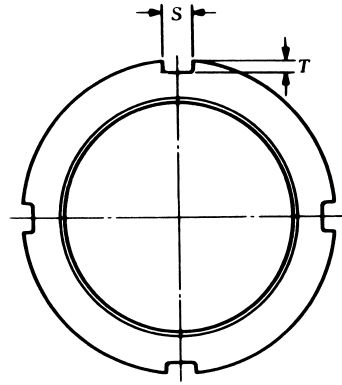
Locknuts



AN
KM

Lock Nut Part No.	D 1 Thread	D 3 mm	D 4 mm	B n mm	S mm	T mm	D 6 mm	Weight (kgs)	Lock Washer No.
AN 00	M 10 × 0.75	18	13.5	4	3	2	10.5	0.005	AW 00
AN 01	M 12 × 1.0	22	17	4	3	2	12.5	0.007	AW 01
AN 02	M 15 × 1.0	25	21	5	4	2	15.5	0.010	AW 02
AN 03	M 17 × 1.0	28	24	5	4	2	17.5	0.013	AW 03
AN 04	M 20 × 1.0	32	26	6	4	2	20.5	0.019	AW 04
AN 05	M 25 × 1.5	38	32	7	5	2	25.8	0.025	AW 05
AN 06	M 30 × 1.5	45	38	7	5	2	30.8	0.043	AW 06
AN 07	M 35 × 1.5	52	44	8	5	2	35.8	0.053	AW 07
AN 08	M 40 × 1.5	58	50	9	6	2.5	40.8	0.085	AW 08
AN 09	M 45 × 1.5	65	56	10	6	2.5	45.8	0.119	AW 09
AN 10	M 50 × 1.5	70	61	11	6	2.5	50.8	0.148	AW 10
AN 11	M 55 × 2.0	75	67	11	7	3	56	0.158	AW 11
AN 12	M 60 × 2.0	80	73	11	7	3	61	0.174	AW 12
AN 13	M 65 × 2.0	85	79	12	7	3	66	0.203	AW 13
AN 14	M 70 × 2.0	92	85	12	8	3.5	71	0.242	AW 14
AN 15	M 75 × 2.0	98	90	13	8	3.5	76	0.287	AW 15
AN 16	M 80 × 2.0	105	95	15	8	3.5	81	0.397	AW 16
AN 17	M 85 × 2.0	110	102	16	8	3.5	86	0.451	AW 17
AN 18	M 90 × 2.0	120	108	16	10	4	91	0.556	AW 18
AN 19	M 95 × 2.0	125	113	17	10	4	96	0.658	AW 19
AN 20	M100 × 2.0	130	120	18	10	4	101	0.698	AW 20
AN 21	M105 × 2.0	140	126	18	12	5	106	0.845	AW 21
AN 22	M110 × 2.0	145	133	19	12	5	111	0.965	AW 22
AN 23	M115 × 2.0	150	137	19	12	5	116	1.010	AW 23
AN 24	M120 × 2.0	155	138	20	12	5	126	1.080	AW 24
AN 25	M125 × 2.0	160	148	21	12	5	126	1.190	AW 25
AN 26	M130 × 2.0	165	149	21	12	5	131	1.250	AW 26
AN 27	M135 × 2.0	175	160	22	14	6	136	1.550	AW 27
AN 28	M140 × 2.0	180	160	22	14	6	141	1.560	AW 28

Locknuts



AN KM

Lock Nut Part No.	D 1 Thread	D 3 mm	D 4 mm	B n mm	S mm	T mm	D 6 mm	Weight (kgs)	Lock Washer No.
AN 29	M145 × 2.0	190	171	24	14	6	146	2.000	AW 29
AN 30	M150 × 2.0	195	171	24	14	6	151	2.030	AW 30
AN 31	M155 × 3.0	200	182	25	16	7	156.5	2.210	AW 31
AN 32	M160 × 3.0	210	182	25	16	7	161.5	2.590	AW 32
AN 33	M165 × 3.0	210	193	26	16	7	166.5	2.430	AW 33
AN 34	M170 × 3.0	220	193	26	16	7	171.5	2.800	AW 34
AN 36	M180 × 3.0	230	203	27	18	8	181.5	3.070	AW 36
AN 38	M190 × 3.0	240	214	28	18	8	191.5	3.390	AW 38
AN 40	M200 × 3.0	250	226	29	18	8	201.5	3.690	AW 40

Note :

- 1) M means metric thread and the digits are major diameter of thread and pitch。
M 代表公制式螺紋；數字代表螺紋外徑及螺距。
- 2) The specifications of AN can be applied for KM。AN 的尺寸規格適用於 KM。

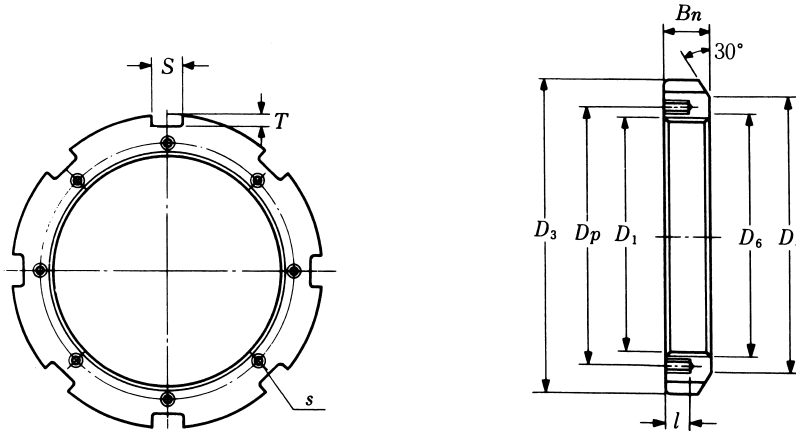
ANL KML

Lock Nut Part No.	D 1 Thread	D 3 mm	D 4 mm	B n mm	S mm	T mm	D 6 mm	Weight (kgs)	Lock Washer No.
ANL 24	M120 × 2.0	145	135	20	12	5	121	0.780	AWL 24
ANL 26	M130 × 2.0	155	145	21	12	5	131	0.880	AWL 26
ANL 28	M140 × 2.0	165	155	22	12	5	141	0.990	AWL 28
ANL 30	M150 × 2.0	180	170	24	14	5	151	1.380	AWL 30
ANL 32	M160 × 3.0	190	180	25	14	5	161.5	1.560	AWL 32
ANL 34	M170 × 3.0	200	190	26	16	5	171.5	1.720	AWL 34
ANL 36	M180 × 3.0	210	200	27	16	5	181.5	1.950	AWL 36
ANL 38	M190 × 3.0	220	210	28	16	5	191.5	2.080	AWL 38
ANL 40	M200 × 3.0	240	222	29	18	8	201.5	2.980	AWL 40

Note :

- 1) M means metric thread and the digits are major diameter of thread and pitch。
M 代表公制式螺紋；數字代表螺紋外徑及螺距。
- 2) The specifications of ANL can be applied for KML。ANL 的尺寸規格適用於 KML。

Locknuts



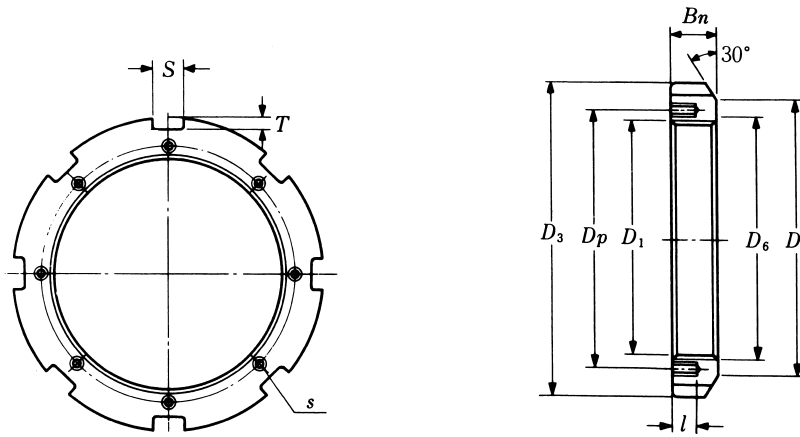
AN HM 31

Lock Nut Part No.	D 1 Thread ¹⁾	D 3 mm	D 4 mm	S mm	T mm	D 6 mm	B n mm	i mm	Tapped Hole s Threads	D p mm	Suitable Lock Plate No.	Weight (kgs)
AN 44	Tr 220 × 4	280	250	20	10	222	32	15	M 8 × 1.25	238	AL 44	5.200
AN 48	Tr 240 × 4	300	270	20	10	242	34	15	M 8 × 1.25	258	AL 48	5.950
AN 52	Tr 260 × 4	330	300	24	12	262	36	18	M 10 × 1.5	281	AL 52	8.050
AN 56	Tr 280 × 4	350	320	24	12	282	38	18	M 10 × 1.5	301	AL 56	9.050
AN 60	Tr 300 × 4	380	340	24	12	302	40	18	M 10 × 1.5	326	AL 60	11.800
AN 64	Tr 320 × 5	400	360	24	12	322.5	42	18	M 10 × 1.5	345	AL 64	13.100
AN 68	Tr 340 × 5	440	400	28	15	342.5	55	21	M 12 × 1.75	372	AL 68	23.100
AN 72	Tr 360 × 5	460	420	28	15	362.5	58	21	M 12 × 1.75	392	AL 72	25.100
AN 76	Tr 380 × 5	490	440	32	18	382.5	60	21	M 12 × 1.75	414	AL 76	30.900
AN 80	Tr 400 × 5	520	460	32	18	402.5	62	27	M 16 × 2.0	439	AL 80	36.900
AN 84	Tr 420 × 5	540	490	32	18	422.5	70	27	M 16 × 2.0	459	AL 84	43.500
AN 88	Tr 440 × 5	560	510	36	20	442.5	70	27	M 16 × 2.0	477	AL 88	45.300
AN 92	Tr 460 × 5	580	540	36	20	462.5	75	27	M 16 × 2.0	497	AL 92	50.400
AN 96	Tr 480 × 5	620	560	36	20	482.5	75	27	M 16 × 2.0	527	AL 96	62.200
AN 100	Tr 500 × 5	630	580	40	23	502.5	80	27	M 16 × 2.0	539	AL 100	63.300

Note :

- 1) Tr means 30°, trapezoid thread and the digits are major diameter of thread and pitch。
Tr 代表 30°，梯形螺紋；數字代表螺紋外徑及螺距。
- 2) The specifications of AN can be applied for HM31。
AN 的尺寸規格適用於 HM31。

Locknuts



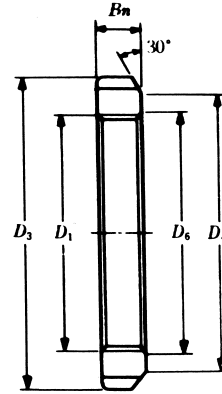
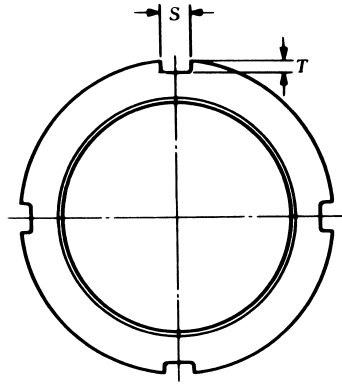
ANL HM 30

Lock Nut	D 1	D 3	D 4	S	T	D 6	B n	i	Tapped Hole s	D p	Suitable Lock Plate No.	Weight (kgs)
Part No.	Thread ¹⁾	mm	mm	mm	mm	mm	mm	mm	Threads	mm		
ANL 44	Tr 220 × 4	260	242	20	9	222	30	12	M 6 × 1.0	229	ALL 44	3.090
ANL 48	Tr 240 × 4	290	270	20	10	242	34	15	M 8 × 1.25	253	ALL 48	5.160
ANL 52	Tr 260 × 4	310	290	20	10	262	34	15	M 8 × 1.25	273	ALL 52	5.670
ANL 56	Tr 280 × 4	330	310	24	10	282	38	15	M 8 × 1.25	293	ALL 56	6.780
ANL 60	Tr 300 × 4	360	336	24	12	302	42	15	M 8 × 1.25	316	ALL 60	9.620
ANL 64	Tr 320 × 5	380	356	24	12	322.5	42	15	M 8 × 1.25	335	ALL 64	9.940
ANL 68	Tr 340 × 5	400	376	24	12	342.5	45	15	M 8 × 1.25	355	ALL 68	11.700
ANL 72	Tr 360 × 5	420	394	28	13	362.5	45	15	M 8 × 1.25	374	ALL 72	12.000
ANL 76	Tr 380 × 5	450	422	28	14	382.5	48	18	M10 × 1.5	398	ALL 76	14.900
ANL 80	Tr 400 × 5	470	442	28	14	402.5	52	18	M10 × 1.5	418	ALL 80	16.900
ANL 84	Tr 420 × 5	490	462	32	14	422.5	52	18	M10 × 1.5	438	ALL 84	17.400
ANL 88	Tr 440 × 5	520	490	32	15	442.5	60	21	M12 × 1.75	462	ALL 88	26.200
ANL 92	Tr 460 × 5	540	510	32	15	462.5	60	21	M12 × 1.75	482	ALL 92	29.600
ANL 96	Tr 480 × 5	560	530	36	15	482.5	60	21	M12 × 1.75	502	ALL 96	28.300
ANL 100	Tr 500 × 5	580	550	36	15	502.5	68	21	M12 × 1.75	522	ALL 100	33.600

Note :

- 1) Tr means 30°, trapezoid thread and the digits are major diameter of thread and pitch °
Tr 代表 30°，梯形螺紋；數字代表螺紋外徑及螺距。
- 2) The specifications of ANL can be applied for HM30 °
ANL 的尺寸規格適用於 HM30 °

Locknuts



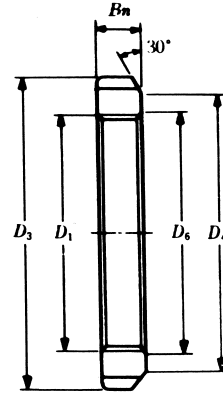
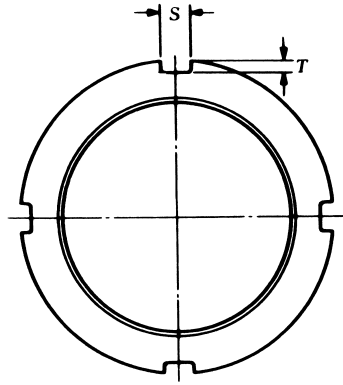
HN
HM

Lock Nut Part No.	D 1 Thread ¹⁾	D 3 mm	D 4 mm	B n mm	S mm	T mm	D 6 mm	Weight (kgs)
HN 42	Tr 210 × 4	270	238	30	20	10	212	4.750
HN 44	Tr 220 × 4	280	250	32	20	10	222	5.350
HN 46	Tr 230 × 4	290	260	34	20	10	232	5.800
HN 48	Tr 240 × 4	300	270	34	20	10	242	6.200
HN 50	Tr 250 × 4	320	290	35	20	10	252	7.000
HN 52	Tr 260 × 4	330	300	35	24	12	262	8.550
HN 54	Tr 270 × 4	340	310	36	24	12	272	9.200
HN 56	Tr 280 × 4	350	320	36	24	12	282	10.000
HN 58	Tr 290 × 4	370	330	40	24	12	292	11.800
HN 60	Tr 300 × 4	380	340	40	24	12	302	12.000
HN 62	Tr 310 × 5	390	350	42	24	12	312.5	13.400
HN 64	Tr 320 × 5	400	360	42	24	12	322.5	13.500
HN 66	Tr 330 × 5	420	380	52	28	15	332.5	20.400
HN 68	Tr 340 × 5	440	400	55	28	15	342.5	24.500
HN 70	Tr 350 × 5	450	410	55	28	15	352.5	25.200
HN 72	Tr 360 × 5	460	420	58	28	15	362.5	27.500
HN 74	Tr 370 × 5	470	430	58	28	15	372.5	28.200
HN 76	Tr 380 × 5	490	440	60	32	18	382.5	33.500
HN 80	Tr 400 × 5	520	460	62	32	18	402.5	40.000
HN 84	Tr 420 × 5	540	490	70	32	18	422.5	46.900
HN 88	Tr 440 × 5	560	510	70	36	20	442.5	48.500
HN 92	Tr 460 × 5	580	540	75	36	20	462.5	55.000
HN 96	Tr 480 × 5	620	560	75	36	20	482.5	67.000
HN 100	Tr 500 × 5	630	590	80	40	23	502.5	69.000
HN 102	Tr 510 × 6	650	590	80	40	23	513	75.000
HN 106	Tr 530 × 6	670	610	80	40	23	533	78.000
HN 110	Tr 550 × 6	700	640	80	40	23	553	92.500

Note :

- 1) Tr means 30°, trapezoid thread and the digits are major diameter of thread and pitch。
Tr 代表 30°，梯形螺紋；數字代表螺紋外徑及螺距。
- 2) The specifications of HN can be applied for HM。
HN 的尺寸規格適用於 HM。

Locknuts



HNL
HML

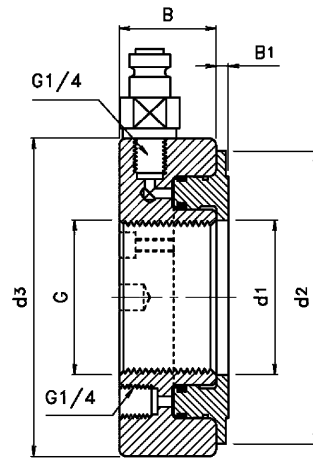
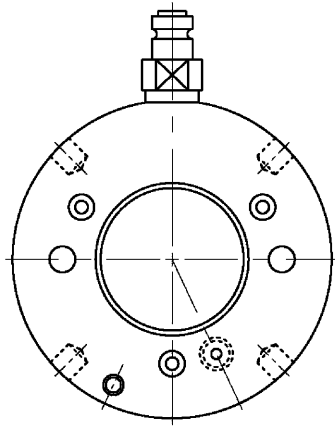
Lock Nut Part No.	D 1 Thread ¹⁾	D 3 mm	D 4 mm	B n mm	S mm	T mm	D 6 mm	Weight (kgs)
HNL 41	Tr 205 × 4	250	232	30	18	8	207	3.430
HNL 43	Tr 215 × 4	260	242	30	20	9	217	3.720
HNL 47	Tr 235 × 4	280	262	34	20	9	237	4.600
HNL 52	Tr 260 × 4	310	290	34	20	10	262	5.800
HNL 56	Tr 280 × 4	330	310	38	24	10	282	6.720
HNL 60	Tr 300 × 4	360	336	42	24	12	302	9.600
HNL 64	Tr 320 × 5	380	356	42	24	12	322.5	10.300
HNL 69	Tr 345 × 5	410	384	45	28	13	347.5	11.500
HNL 72	Tr 360 × 5	420	394	45	28	13	362.5	12.100
HNL 73	Tr 365 × 5	430	404	48	28	13	367.5	14.200
HNL 76	Tr 380 × 5	450	422	48	28	14	382.5	16.000
HNL 77	Tr 385 × 5	450	422	48	28	14	387.5	15.000
HNL 80	Tr 400 × 5	470	442	52	28	14	402.5	18.500
HNL 82	Tr 410 × 5	480	452	52	32	14	412.5	19.000
HNL 84	Tr 420 × 5	490	462	52	32	14	422.5	19.400
HNL 86	Tr 430 × 5	500	472	52	32	14	432.5	19.800
HNL 88	Tr 440 × 5	520	490	60	32	15	442.5	27.000
HNL 90	Tr 450 × 5	520	490	60	32	15	452.5	27.500
HNL 92	Tr 460 × 5	540	510	60	32	15	462.5	28.000
HNL 94	Tr 470 × 5	540	510	60	32	15	472.5	28.500
HNL 96	Tr 480 × 5	560	530	60	36	15	482.5	29.500
HNL 98	Tr 490 × 5	580	550	60	36	15	492.5	34.000
HNL 100	Tr 500 × 5	580	550	68	36	15	502.5	35.000
HNL 104	Tr 520 × 6	600	570	68	36	15	523	37.000
HNL 106	Tr 530 × 6	630	590	68	40	20	533	47.000
HNL 108	Tr 540 × 6	630	590	68	40	20	543	43.500

Note :

- 1) Tr means 30°, trapezoid thread and the digits are major diameter of thread and pitch。
Tr 代表 30°，梯形螺紋；數字代表螺紋外徑及螺距。
- 2) The specifications of HNL can be applied for HML。
HNL 的尺寸規格適用於 HML。

Hydraulic Nuts

GPV



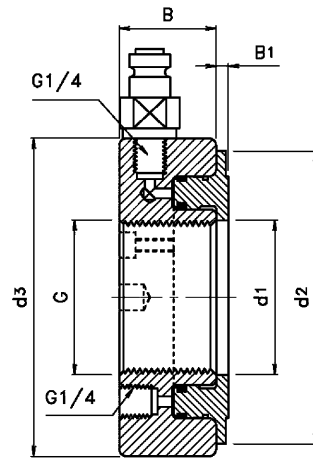
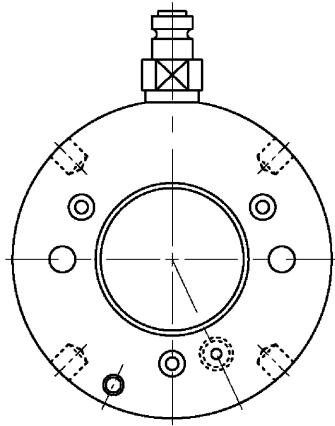
Designation	G thread	d1 mm	d2 mm	d3 mm	B mm	B1 mm	Permitted Piston dis- Placement mm	Piston Area mm ²	Weight (kgs)
GPV 10E	M 50 × 1.5	50.5	104	114	38	4	5	2900	2.70
GPV 11E	M 55 × 2	55.5	109	120	38	4	5	3150	2.75
GPV 12E	M 60 × 2	60.5	115	125	38	5	5	3300	2.80
GPV 13E	M 65 × 2	65.5	121	130	38	5	5	3600	3.00
GPV 14E	M 70 × 2	70.5	127	135	38	5	5	3800	3.20
GPV 15E	M 75 × 2	75.5	132	140	38	5	5	4000	3.40
GPV 16E	M 80 × 2	80.5	137	146	38	5	5	4200	3.70
GPV 17E	M 85 × 2	85.5	142	150	38	5	5	4400	3.75
GPV 18E	M 90 × 2	90.5	147	156	38	5	5	4700	4.00
GPV 19E	M 95 × 2	95.5	153	162	38	5	5	4900	4.30
GPV 20E	M 100 × 2	100.5	158	166	38	6	5	5100	4.40
GPV 21E	M 105 × 2	105.5	163	172	38	6	5	5300	4.65
GPV 22E	M 110 × 2	110.5	169	178	38	6	5	5600	4.95
GPV 23E	M 115 × 2	115.5	174	182	38	6	5	5800	5.00
GPV 24E	M 120 × 2	120.5	179	188	38	6	5	6000	5.25
GPV 25E	M 125 × 2	125.5	184	192	38	6	5	6200	5.35
GPV 26E	M 130 × 2	130.5	190	198	38	6	5	6400	5.65
GPV 27E	M 135 × 2	135.5	195	204	38	6	5	6600	5.90
GPV 28E	M 140 × 2	140.5	200	208	38	7	5	6800	6.00
GPV 29E	M 145 × 2	145.5	206	214	39	7	5	7300	6.50
GPV 30E	M 150 × 2	150.5	211	220	39	7	5	7500	6.60
GPV 31E	M 155 × 3	155.5	218	226	39	7	5	8100	6.95
GPV 32E	M 160 × 3	160.5	224	232	40	7	6	8600	7.60
GPV 33E	M 165 × 3	165.5	229	238	40	7	6	8900	7.90
GPV 34E	M 170 × 3	170.5	235	244	41	7	6	9400	8.40
GPV 36E	M 180 × 3	180.5	247	256	41	7	6	10300	9.15
GPV 38E	M 190 × 3	191	259	270	42	8	7	11500	10.50

Note :

- 1) M means metric thread and the digits are major diameter of thread and pitch。
M 代表公制式螺紋；數字代表螺紋外徑及螺距。

Hydraulic Nuts

GPV

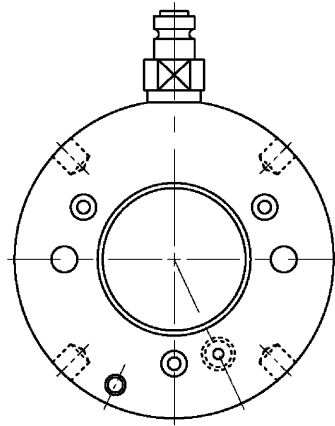


Designation	G thread	d1 mm	d2 mm	d3 mm	B mm	B1 mm	Permitted Piston dis- Placement mm	Piston Area mm ²	Weight (kgs)
GPV 40E	M 200 × 3	201	271	282	43	8	8	12500	11.5
GPV 41E	Tr 205 × 4	207	276	288	43	8	8	12800	12.0
GPV 42E	Tr 210 × 4	212	282	294	44	8	9	13400	12.5
GPV 43E	Tr 215 × 4	217	287	300	44	8	9	13700	13.0
GPV 44E	Tr 220 × 4	222	293	306	44	8	9	14400	13.5
GPV 45E	Tr 225 × 4	227	300	312	45	8	9	15200	14.5
GPV 46E	Tr 230 × 4	232	305	318	45	8	9	15500	15.0
GPV 47E	Tr 235 × 4	237	311	326	46	8	10	16200	16.0
GPV 48E	Tr 240 × 4	242	316	330	46	9	10	16500	16.5
GPV 50E	Tr 250 × 4	252	329	342	46	9	10	17600	17.5
GPV 52E	Tr 260 × 4	262	341	356	47	9	11	18800	19.5
GPV 54E	Tr 270 × 4	272	352	368	48	9	12	19800	20.5
GPV 56E	Tr 280 × 4	282	363	380	49	9	12	21100	22.0
GPV 58E	Tr 290 × 4	292	375	390	49	9	13	22400	22.5
GPV 60E	Tr 300 × 4	302	386	404	51	10	14	23600	25.5
GPV 62E	Tr 310 × 5	312	397	416	52	10	14	24900	27.0
GPV 64E	Tr 320 × 5	322	409	428	53	10	14	26300	29.5
GPV 66E	Tr 330 × 5	332	419	438	53	10	14	27000	30.0
GPV 68E	Tr 340 × 5	342	430	450	54	10	14	28400	31.5
GPV 69E	Tr 345 × 5	347	436	456	54	10	14	29400	32.5
GPV 70E	Tr 350 × 5	352	442	464	56	10	14	29900	35.0
GPV 72E	Tr 360 × 5	362	455	472	56	10	15	31300	35.5
GPV 73E	Tr 365 × 5	367	460	482	57	11	15	31700	38.5
GPV 74E	Tr 370 × 5	372	466	486	57	11	16	32800	39.0
GPV 76E	Tr 380 × 5	382	476	498	58	11	16	33500	40.5
GPV 77E	Tr 385 × 5	387	483	504	58	11	16	34700	41.0
GPV 80E	Tr 400 × 5	402	499	522	60	11	17	36700	45.5

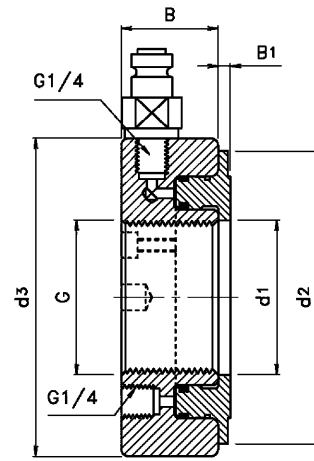
Note :

- 1) M means metric thread and the digits are major diameter of thread and pitch。
M 代表公制式螺紋；數字代表螺紋外徑及螺距。
- 2) Tr means 30°, trapezoid thread and the digits are major diameter of thread and pitch。
Tr 代表 30°, 梯形螺紋；數字代表螺紋外徑及螺距。

Hydraulic Nuts



GPV

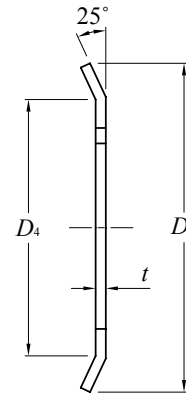
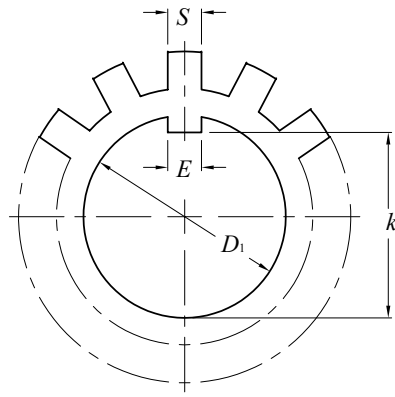


Designation	G thread	d1 mm	d2 mm	d3 mm	B mm	B1 mm	Permitted Piston dis- Placement mm	Piston Area mm ²	Weight (kgs)
GPV 82E	Tr 410 × 5	412	510	534	61	11	17	38300	48.0
GPV 84E	Tr 420 × 5	422	522	546	61	11	17	40000	50.0
GPV 86E	Tr 430 × 5	432	532	556	62	11	17	40800	52.5
GPV 88E	Tr 440 × 5	442	543	566	62	12	17	42500	54.0
GPV 90E	Tr 450 × 5	452	554	580	64	12	17	44100	57.5
GPV 92E	Tr 460 × 5	462	565	590	64	12	17	45100	60.0
GPV 94E	Tr 470 × 5	472	576	602	65	12	18	46900	62.0
GPV 96E	Tr 480 × 5	482	587	612	65	12	19	48600	63.0
GPV 98E	Tr 490 × 5	492	597	624	66	12	19	49500	66.0

Note :

- 1) Tr means 30°, trapezoid thread and the digits are major diameter of thread and pitch。
Tr 代表 30°，梯形螺紋；數字代表螺紋外徑及螺距。

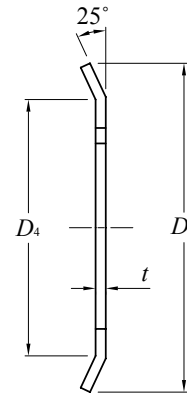
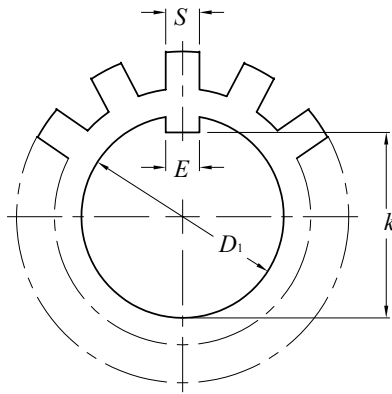
Lockwashers



AW
MB

Lock Washer ¹⁾	D_1	k	E	t	S	D_4	D_5	Number of tongues	Weight per 100 pieces (kgs)	Lock Nut No.
Part No.	mm	mm	mm	mm	mm	mm	mm			
AW 00	10	8.5	3	1	3	13.5	21	9	0.131	AN 00
AW 01	12	10.5	3	1	3	17	25	9	0.192	AN 01
AW 02	15	13.5	4	1	4	21	28	13	0.253	AN 02
AW 03	17	15.5	4	1	4	24	32	13	0.313	AN 03
AW 04	20	18.5	4	1	4	26	36	13	0.350	AN 04
AW 05	25	23	5	1.2	5	32	42	13	0.640	AN 05
AW 06	30	27.5	5	1.2	5	38	49	13	0.780	AN 06
AW 07	35	32.5	6	1.2	5	44	57	15	1.040	AN 07
AW 08	40	37.5	6	1.2	6	50	62	15	1.230	AN 08
AW 09	45	42.5	6	1.2	6	56	69	17	1.520	AN 09
AW 10	50	47.5	6	1.2	6	61	74	17	1.600	AN 10
AW 11	55	52.5	8	1.5	7	67	81	17	1.960	AN 11
AW 12	60	57.5	8	1.5	7	73	86	17	2.530	AN 12
AW 13	65	62.5	8	1.5	7	79	92	19	2.900	AN 13
AW 14	70	66.5	8	1.5	8	85	98	19	3.340	AN 14
AW 15	75	71.5	8	1.5	8	90	104	19	3.560	AN 15
AW 16	80	76.5	10	1.8	8	95	112	19	4.640	AN 16
AW 17	85	81.5	10	1.8	8	102	119	19	5.240	AN 17
AW 18	90	86.5	10	1.8	10	108	126	19	6.230	AN 18
AW 19	95	91.5	10	1.8	10	113	133	19	6.700	AN 19
AW 20	100	96.5	12	1.8	10	120	142	19	7.650	AN 20
AW 21	105	100.5	12	1.8	12	126	145	19	8.260	AN 21
AW 22	110	105.5	12	1.8	12	133	154	19	9.400	AN 22
AW 23	115	110.5	12	2	12	137	159	19	10.800	AN 23
AW 24	120	115	14	2	12	138	164	19	10.500	AN 24
AW 25	125	120	14	2	12	148	170	19	11.800	AN 25
AW 26	130	125	14	2	12	149	175	19	11.300	AN 26
AW 27	135	130	14	2	14	160	185	19	14.400	AN 27
AW 28	140	135	16	2	14	160	192	19	14.200	AN 28
AW 29	145	140	16	2	14	171	202	19	16.800	AN 29
AW 30	150	145	16	2	14	171	205	19	15.500	AN 30
AW 31	155	147.5	16	2.5	16	182	212	19	20.900	AN 31
AW 32	160	154	18	2.5	16	182	217	19	22.200	AN 32

Lockwashers



AW MB

Lock washer ¹⁾	D_1	k	E	t	S	D_4	D_5	Number of tongues	Weight per 100 pieces (kgs)	Lock Nut No.
Part No.	mm	mm	mm	mm	mm	mm	mm			
AW 33	165	157.5	18	2.5	16	193	222	19	24.100	AN 33
AW 34	170	164	18	2.5	16	193	232	19	24.700	AN 34
AW 36	180	174	20	2.5	18	203	242	19	26.800	AN 36
AW 38	190	184	20	2.5	18	214	252	19	27.800	AN 38
AW 40	200	194	20	2.5	18	226	262	19	29.300	AN 40
AW 44	220	213	24	3.0	20	250	292	19	48.300	AN 44
AW 48	240	233	24	3.0	20	270	312	19	50.200	AN 48
AW 52	260	253	28	3.0	24	300	342	23	72.900	AN 52
AW 56	280	273	28	3.0	24	320	362	23	75.900	AN 56

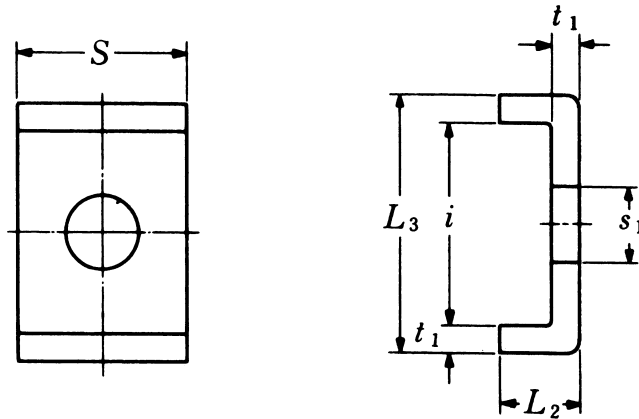
NOTE : The specifications of AW can be applied for MB 。 AW 的尺寸規格適用於 MB 。

AWL MBL

Lock washer ¹⁾	D_1	k	E	t	S	D_4	D_5	Number of tongues	Weight per 100 pieces (kgs)	Lock Nut No.
Part No.	mm	mm	mm	mm	mm	mm	mm			
AWL 24	120	115	14	2	12	135	151	19	7.700	ANL 24
AWL 26	130	125	14	2	12	145	161	19	8.700	ANL 26
AWL 28	140	135	16	2	12	155	171	19	10.900	ANL 28
AWL 30	150	145	16	2	14	170	188	19	11.300	ANL 30
AWL 32	160	154	18	2.5	14	180	199	19	16.200	ANL 32
AWL 34	170	164	18	2.5	16	190	211	19	19.000	ANL 34
AWL 36	180	174	20	2.5	16	200	221	19	18.000	ANL 36
AWL 38	190	184	20	2.5	16	210	231	19	20.500	ANL 38
AWL 40	200	194	20	2.5	18	222	248	19	21.400	ANL 40

NOTE : The specifications of AWL can be applied for MBL 。 AWL 的尺寸規格適用於 MBL 。

Lockplates



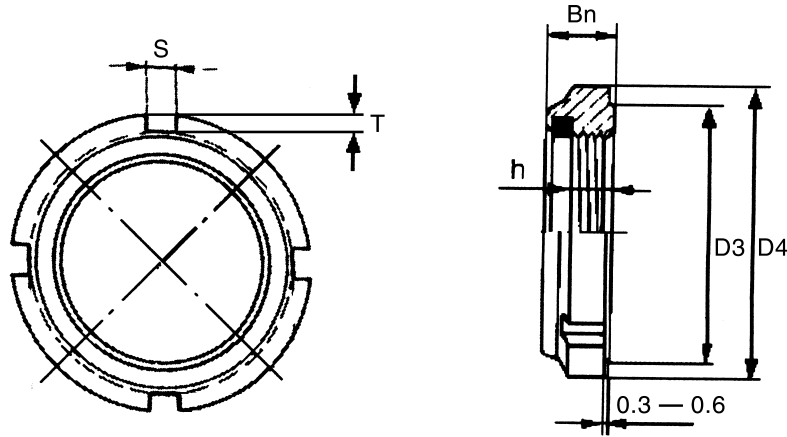
AL / ALL
MS 31 / MS 30

Lock Plate	t ₁	S	L ₂	s ₁	i	L ₃	Suitable Lock Nut No.	Weight per 100 pieces (kgs)
Part No.	mm	mm	mm	mm	mm	mm		
AL 44	4	20	12	9	22.5	30.5	AN 44	2.600
AL 48	4	20	12	9	22.5	30.5	AN 48	2.600
AL 52	4	24	12	12	25.5	33.5	AN 52	3.390
AL 56	4	24	12	12	25.5	33.5	AN 56	3.390
AL 60	4	24	12	12	30.5	38.5	AN 60	3.790
AL 64	5	24	15	12	31	41	AN 64	5.350
AL 68	5	28	15	14	38	48	AN 68	6.650
AL 72	5	28	15	14	38	48	AN 72	6.650
AL 76	5	32	15	14	40	50	AN 76	7.960
AL 80	5	32	15	18	45	55	AN 80	8.200
AL 84	5	32	15	18	45	55	AN 84	8.200
AL 88	5	36	15	18	43	53	AN 88	9.000
AL 92	5	36	15	18	43	53	AN 92	9.000
AL 96	5	36	15	18	53	63	AN 96	10.400
AL 100	5	40	15	18	45	55	AN 100	10.500
ALL 44	4	20	12	7	13.5	21.5	ANL 44	2.120
ALL 48	4	20	12	9	17.5	25.5	ANL 48	2.290
ALL 52	4	20	12	9	17.5	25.5	ANL 52	2.290
ALL 56	4	24	12	9	17.5	25.5	ANL 56	2.920
ALL 60	4	24	12	9	20.5	28.5	ANL 60	3.160
ALL 64	5	24	15	9	21	31	ANL 64	4.560
ALL 68	5	24	15	9	21	31	ANL 68	4.560
ALL 72	5	28	15	9	20	30	ANL 72	5.030
ALL 76	5	28	15	12	24	34	ANL 76	5.280
ALL 80	5	28	15	12	24	34	ANL 80	5.280
ALL 84	5	32	15	12	24	34	ANL 84	6.110
ALL 88	5	32	15	14	28	38	ANL 88	6.450
ALL 92	5	32	15	14	28	38	ANL 92	6.450
ALL 96	5	36	15	14	28	38	ANL 96	7.290
ALL 100	5	36	15	14	28	38	ANL 100	7.290

NOTE : 1) The specifications of AL can be applied for MS 31。AL 的尺寸規格適用於 MS 31。

2) The specifications of ALL can be applied for MS 30。ALL 的尺寸規格適用於 MS 30。

SELF-LOCKING NUT



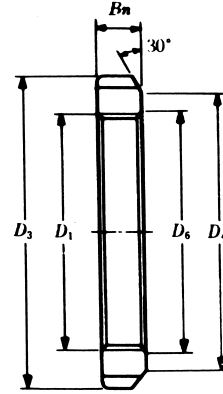
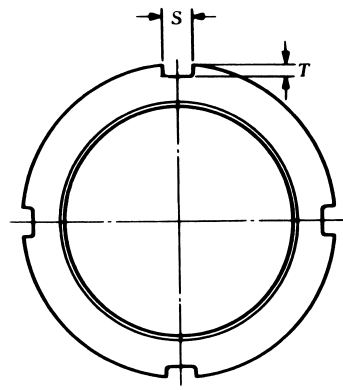
GUK

Part No.	Thread	D ₄ mm	D ₃ mm	B _n mm	S mm	T mm	h mm	Weight (kgs)	No. of grooves for hook
GUK 10	M 10 × 0.75	18	15	7.4	3	1.5	4.5	0.007	4
GUK 12	M 12 × 1.0	21	18	7.4	3	1.5	4.5	0.009	4
GUK 15	M 15 × 1.0	24	21	8.4	4	1.5	5.5	0.012	4
GUK 17	M 17 × 1.0	28	24	8.4	4	2.0	5.5	0.018	4
GUK 20	M 20 × 1.0	32	27	9.4	4	2.5	6.5	0.024	4
GUK 25	M 25 × 1.5	38	33	10.3	5	2.5	6.5	0.035	4
GUK 30	M 30 × 1.5	44	38	10.9	5	3.0	6.5	0.047	4
GUK 35	M 35 × 1.5	50	44	11.1	5	3.0	7.0	0.062	4
GUK 40	M 40 × 1.5	56	50	12.1	6	3.0	8.2	0.077	4
GUK 45	M 45 × 1.5	62	55	12.1	6	3.5	8.2	0.097	4
GUK 50	M 50 × 1.5	68	61	12.7	6	3.5	8.5	0.124	4
GUK 55	M 55 × 2.0	75	68	13.2	7	3.5	8.5	0.160	6
GUK 60	M 60 × 2.0	80	73	13.2	7	3.5	8.5	0.160	6
GUK 65	M 65 × 2.0	85	77	14.3	7	4.0	9.5	0.179	6
GUK 70	M 70 × 2.0	92	84	14.3	8	4.0	9.5	0.230	6
GUK 75	M 75 × 2.0	98	89	15.3	8	4.5	10.5	0.264	6
GUK 80	M 80 × 2.0	105	96	16.3	8	4.5	11.5	0.315	8
GUK 85	M 85 × 2.0	110	105	17.3	8	5.0	12.5	0.369	8
GUK 90	M 90 × 2.0	120	110	17.5	10	5.0	12.5	0.474	8
GUK 95	M 95 × 2.0	125	115	18.5	10	5.0	13.5	0.519	8
GUK 100	M100 × 2.0	130	120	19.5	10	5.0	14.5	0.570	8

Note :

- 1) Unnecessary to add any tooth lock washer。
不需再加齒型防鬆墊圈。
- 2) Unnecessary to mill a keyway on the shaft and shorten its assembled。
不需再軸上鍵槽，節省組裝時間。
- 3) Allow to be used after repeatedly screwing。
可容許反覆鎖緊卸下使用。
- 4) Bearing any vibration and ensuring the integrated resistance when not tightened。
可承受振，未鎖緊亦能確保完整抗力。
- 5) The surface is galvanized to prevent rust。
表面鍍鋅處理，可防止生鏽。
- 6) Standards:M10-M100。
規格：M10-M100。

SUS Locknuts



AN
KM

Lock Nut Part No.	D 1 Thread	D 3 mm	D 4 mm	B n mm	S mm	T mm	D 6 mm	Weight (kgs)	Lock Washer No.
AN 00	M 10 × 0.75	18	13.5	4	3	2	10.5	0.005	AW 00
AN 01	M 12 × 1.0	22	17	4	3	2	12.5	0.007	AW 01
AN 02	M 15 × 1.0	25	21	5	4	2	15.5	0.010	AW 02
AN 03	M 17 × 1.0	28	24	5	4	2	17.5	0.013	AW 03
AN 04	M 20 × 1.0	32	26	6	4	2	20.5	0.019	AW 04
AN 05	M 25 × 1.5	38	32	7	5	2	25.8	0.025	AW 05
AN 06	M 30 × 1.5	45	38	7	5	2	30.8	0.043	AW 06
AN 07	M 35 × 1.5	52	44	8	5	2	35.8	0.053	AW 07
AN 08	M 40 × 1.5	58	50	9	6	2.5	40.8	0.085	AW 08
AN 09	M 45 × 1.5	65	56	10	6	2.5	45.8	0.119	AW 09
AN 10	M 50 × 1.5	70	61	11	6	2.5	50.8	0.148	AW 10
AN 11	M 55 × 2.0	75	67	11	7	3	56	0.158	AW 11
AN 12	M 60 × 2.0	80	73	11	7	3	61	0.174	AW 12
AN 13	M 65 × 2.0	85	79	12	7	3	66	0.203	AW 13
AN 14	M 70 × 2.0	92	85	12	8	3.5	71	0.242	AW 14
AN 15	M 75 × 2.0	98	90	13	8	3.5	76	0.287	AW 15
AN 16	M 80 × 2.0	105	95	15	8	3.5	81	0.397	AW 16
AN 17	M 85 × 2.0	110	102	16	8	3.5	86	0.451	AW 17
AN 18	M 90 × 2.0	120	108	16	10	4	91	0.556	AW 18
AN 19	M 95 × 2.0	125	113	17	10	4	96	0.658	AW 19
AN 20	M100 × 2.0	130	120	18	10	4	101	0.698	AW 20
AN 21	M105 × 2.0	140	126	18	12	5	106	0.845	AW 21
AN 22	M110 × 2.0	145	133	19	12	5	111	0.965	AW 22
AN 23	M115 × 2.0	150	137	19	12	5	116	1.010	AW 23
AN 24	M120 × 2.0	155	138	20	12	5	126	1.080	AW 24
AN 25	M125 × 2.0	160	148	21	12	5	126	1.190	AW 25
AN 26	M130 × 2.0	165	149	21	12	5	131	1.250	AW 26
AN 27	M135 × 2.0	175	160	22	14	6	136	1.550	AW 27
AN 28	M140 × 2.0	180	160	22	14	6	141	1.560	AW 28
AN 29	M145 × 2.0	190	171	24	14	6	146	2.000	AW 29
AN 30	M150 × 2.0	195	171	24	14	6	151	2.030	AW 30

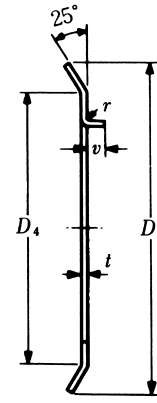
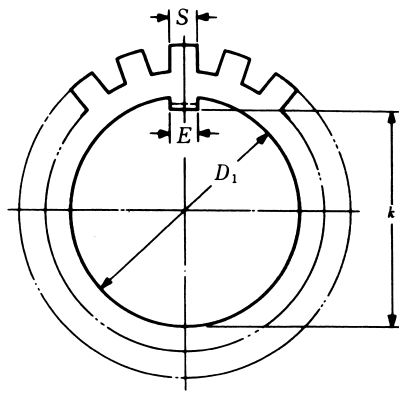
Note : 1) M means metric thread and the digits are major diameter of thread and pitch °

M 代表公制式螺紋；數字代表螺紋外徑及螺距。

2) SUS LOCKNUTS (不鏽鋼螺母)。

3) Material is SUS 304 (材質為 SUS 304)。

SUS Lockwashers



AW
MB

Lock washer ¹⁾	D_1	k	E	t	S	D_4	D_5	r	u	Number of tongues	Weight per 100 pieces (kgs)	Lock Nut No.
Part No.	mm	mm	mm	mm	mm	mm	mm	mm	mm			
AW 00	10	8.5	3	1	3	13.5	21	0.5	2	9	0.131	AN 00
AW 01	12	10.5	3	1	3	17	25	0.5	2	9	0.192	AN 01
AW 02	15	13.5	4	1	4	21	28	1	2.5	13	0.253	AN 02
AW 03	17	15.5	4	1	4	24	32	1	2.5	13	0.313	AN 03
AW 04	20	18.5	4	1	4	26	36	1	2.5	13	0.350	AN 04
AW 05	25	23	5	1.2	5	32	42	1	2.5	13	0.640	AN 05
AW 06	30	27.5	5	1.2	5	38	49	1	2.5	13	0.780	AN 06
AW 07	35	32.5	6	1.2	5	44	57	1	2.5	15	1.040	AN 07
AW 08	40	37.5	6	1.2	6	50	62	1	2.5	15	1.230	AN 08
AW 09	45	42.5	6	1.2	6	56	69	1	2.5	17	1.520	AN 09
AW 10	50	47.5	6	1.2	6	61	74	1	2.5	17	1.600	AN 10
AW 11	55	52.5	8	1.5	7	67	81	1	4	17	1.960	AN 11
AW 12	60	57.5	8	1.5	7	73	86	1.2	4	17	2.530	AN 12
AW 13	65	62.5	8	1.5	7	79	92	1.2	4	19	2.900	AN 13
AW 14	70	66.5	8	1.5	8	85	98	1.2	4	19	3.340	AN 14
AW 15	75	71.5	8	1.5	8	90	104	1.2	4	19	3.560	AN 15
AW 16	80	76.5	10	1.8	8	95	112	1.2	4	19	4.640	AN 16
AW 17	85	81.5	10	1.8	8	102	119	1.2	4	19	5.240	AN 17
AW 18	90	86.5	10	1.8	10	108	126	1.2	4	19	6.230	AN 18
AW 19	95	91.5	10	1.8	10	113	133	1.2	4	19	6.700	AN 19
AW 20	100	96.5	12	1.8	10	120	142	1.2	6	19	7.650	AN 20
AW 21	105	100.5	12	1.8	12	126	145	1.2	6	19	8.260	AN 21
AW 22	110	105.5	12	1.8	12	133	154	1.2	6	19	9.400	AN 22
AW 23	115	110.5	12	2	12	137	159	1.5	6	19	10.800	AN 23
AW 24	120	115	14	2	12	138	164	1.5	6	19	10.500	AN 24
AW 25	125	120	14	2	12	148	170	1.5	6	19	11.800	AN 25
AW 26	130	125	14	2	12	149	175	1.5	6	19	11.300	AN 26
AW 27	135	130	14	2	14	160	185	1.5	6	19	14.400	AN 27
AW 28	140	135	16	2	14	160	192	1.5	8	19	14.200	AN 28
AW 29	145	140	16	2	14	171	202	1.5	8	19	16.800	AN 29
AW 30	150	145	16	2	14	171	205	1.5	8	19	15.500	AN 30

Note : 1) SUS Lockwashers (不鏽鋼墊片)。

2) Material is SUS 304 (材質為 SUS 304)。

Conversion Tables

mm = in. x 25.400		20°C		Inch-Millimeter Equivalents						mm = 0.039370 in.	
Inches		0"	1"	2"	3"	4"	5"	6"	7"	8"	
Fractions	Decimals										
1/64	.015625	0.379	25.400	50.800	76.200	101.600	127.000	152.400	177.800	203.200	
1/32	.031250	0.794	25.797	51.197	76.597	101.997	127.397	152.797	178.197	203.597	
3/64	.046875	1.191	26.194	51.594	76.994	102.394	127.794	153.194	178.594	203.994	
1/16	.062500	1.588	26.591	51.991	77.391	102.791	128.191	153.591	178.991	204.391	
			26.988	52.388	77.788	103.188	128.588	153.988	179.388	204.788	
5/64	.078125	1.984	27.384	52.784	78.184	103.584	128.984	154.384	179.784	205.184	
3/32	.093750	2.381	27.781	53.181	78.581	103.981	129.381	154.781	180.181	205.581	
7/64	.109375	2.778	28.178	53.578	78.978	104.378	129.778	155.178	180.578	205.978	
1/8	.125000	3.175	28.575	53.975	79.375	104.775	130.175	155.575	180.975	206.375	
9/64	.140625	3.572	28.972	54.372	79.772	105.172	130.572	155.972	181.372	206.772	
5/32	.156250	3.969	29.369	54.769	80.169	105.569	130.969	156.369	181.769	207.169	
11/64	.171875	4.366	29.766	55.166	80.566	105.966	131.366	156.766	182.166	207.566	
3/16	.187500	4.762	30.162	55.562	80.962	106.362	131.762	157.162	182.562	207.962	
13/64	.203125	5.159	30.559	55.959	81.359	106.759	132.159	157.559	182.959	208.359	
7/32	.218750	5.556	30.956	56.356	81.756	107.156	132.556	157.956	183.356	208.756	
15/64	.234375	5.953	31.353	56.753	82.153	107.553	132.953	158.353	183.753	209.153	
1/4	.250000	6.350	31.750	57.150	82.550	107.950	133.350	158.750	184.150	209.550	
17/64	.265625	6.747	32.147	57.547	82.947	108.347	133.747	159.147	184.547	209.947	
9/32	.281250	7.144	32.544	57.944	83.344	108.744	134.144	159.544	184.944	210.344	
19/64	.296875	7.541	32.941	58.341	83.741	109.141	134.541	159.941	185.341	210.741	
5/16	.312500	7.938	33.338	58.738	84.138	109.538	134.938	160.338	185.738	211.138	
21/64	.328125	8.334	33.734	59.134	84.534	109.934	135.334	160.734	186.134	211.534	
11/32	.343750	8.731	34.131	59.531	84.931	110.331	135.731	161.131	186.531	211.931	
23/64	.359375	9.128	34.528	59.928	85.328	110.728	136.128	161.528	186.928	212.328	
3/8	.375000	9.525	34.925	60.325	85.725	111.125	136.525	161.925	187.325	212.725	
25/64	.390625	9.922	35.322	60.722	86.122	111.522	136.922	162.322	187.722	213.122	
13/32	.406250	10.319	35.719	61.119	86.519	111.919	137.319	162.719	188.119	213.519	
27/64	.421875	10.716	36.116	61.516	86.916	112.316	137.716	163.116	188.516	213.916	
7/16	.437500	11.112	36.512	61.912	87.312	112.712	138.112	163.512	188.912	214.312	
29/64	.453125	11.509	36.909	62.309	87.709	113.109	138.509	163.909	189.309	214.709	
15/32	.468750	11.906	37.306	62.706	88.106	113.506	138.906	164.306	189.706	215.106	
31/64	.484375	12.303	37.703	63.103	88.503	113.903	139.303	164.703	190.103	215.503	
1/2	.500000	12.700	32.100	63.500	88.900	114.300	139.700	165.100	190.500	215.900	
33/64	.515625	13.097	38.497	63.897	89.297	114.697	140.097	165.497	190.897	216.297	
17/32	.531250	13.494	38.894	64.294	89.694	115.094	140.494	165.894	191.294	216.694	
35/64	.546875	13.891	39.291	64.691	90.091	115.491	140.891	166.291	191.691	217.091	
9/16	.562500	14.288	39.688	65.088	90.488	115.888	141.288	166.688	192.088	217.488	
37/64	.578125	14.684	40.084	65.484	90.884	116.284	141.684	167.084	192.484	217.884	
19/32	.593750	15.081	40.481	65.881	91.281	116.681	142.081	167.481	192.881	218.281	
39/64	.609375	15.478	40.878	66.278	91.678	117.078	142.478	167.878	193.278	218.678	
5/8	.625000	15.875	41.275	66.675	92.075	117.475	142.875	168.275	193.675	219.075	
41/64	.640625	16.272	41.672	67.072	92.472	117.872	143.272	168.672	194.072	219.472	
21/32	.656250	16.669	42.069	67.469	92.869	118.269	143.669	169.069	194.469	219.869	
43/64	.671875	17.066	42.466	67.866	93.266	118.666	144.066	169.466	194.866	220.266	
11/16	.687500	17.462	42.862	68.262	93.662	119.062	144.462	169.862	195.262	220.662	
45/64	.703125	17.859	43.259	68.659	94.059	119.459	144.859	170.259	195.659	221.059	
23/32	.718750	18.256	43.656	69.056	94.456	119.856	145.256	170.656	196.056	221.456	
47/64	.734375	18.653	44.053	69.453	94.853	120.253	145.653	171.053	196.453	221.853	
3/4	.750000	19.050	44.450	69.850	95.250	120.650	146.050	171.450	196.850	222.250	
49/64	.765625	19.447	44.847	70.247	95.647	121.047	146.447	171.847	197.247	222.647	
25/32	.781250	19.844	45.244	70.644	96.044	121.444	146.844	172.244	197.644	223.044	
51/64	.796875	20.241	45.641	71.041	96.441	121.841	147.241	172.641	198.041	223.441	
13/16	.812500	20.638	46.038	71.438	96.838	122.238	147.638	173.038	198.438	223.838	
53/64	.828125	21.034	46.434	71.834	97.234	122.634	148.034	173.434	198.834	224.234	
27/32	.843750	21.431	46.831	72.231	97.631	123.031	148.431	173.831	199.231	224.631	
55/64	.859375	21.828	47.228	72.628	98.028	123.428	148.828	174.228	199.628	225.028	
7/8	.875000	22.225	47.625	73.025	98.425	123.825	149.225	174.625	200.025	225.425	
57/64	.890625	22.622	48.022	73.422	98.822	124.222	149.622	175.022	200.422	225.822	
29/32	.906250	23.019	48.419	73.819	99.219	124.619	150.019	175.419	200.819	226.219	
59/64	.921875	23.416	48.816	74.216	99.616	125.016	150.416	175.816	201.216	226.616	
15/16	.937500	23.812	49.212	74.612	100.012	125.412	150.812	176.212	201.612	227.012	
61/64	.953125	24.209	49.609	75.009	100.409	125.809	151.209	176.609	202.009	227.409	
31/32	.968750	24.606	50.006	75.406	100.806	126.206	151.606	177.006	202.406	227.806	
63/64	.984375	25.003	50.403	75.803	101.203	126.603	152.003	177.403	202.803	228.203	