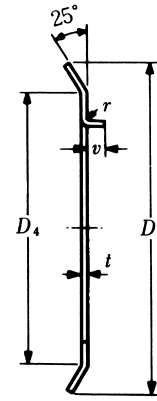
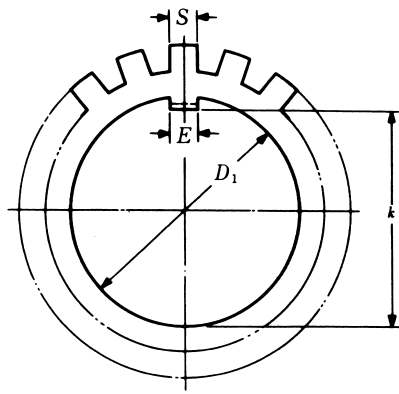


SUS Lockwashers



AW
MB

Lock washer ¹⁾	D_1	k	E	t	S	D_4	D_5	r	u	Number of tongues	Weight per 100 pieces (kgs)	Lock Nut No.
Part No.	mm	mm	mm	mm	mm	mm	mm	mm	mm			
AW 00	10	8.5	3	1	3	13.5	21	0.5	2	9	0.131	AN 00
AW 01	12	10.5	3	1	3	17	25	0.5	2	9	0.192	AN 01
AW 02	15	13.5	4	1	4	21	28	1	2.5	13	0.253	AN 02
AW 03	17	15.5	4	1	4	24	32	1	2.5	13	0.313	AN 03
AW 04	20	18.5	4	1	4	26	36	1	2.5	13	0.350	AN 04
AW 05	25	23	5	1.2	5	32	42	1	2.5	13	0.640	AN 05
AW 06	30	27.5	5	1.2	5	38	49	1	2.5	13	0.780	AN 06
AW 07	35	32.5	6	1.2	5	44	57	1	2.5	15	1.040	AN 07
AW 08	40	37.5	6	1.2	6	50	62	1	2.5	15	1.230	AN 08
AW 09	45	42.5	6	1.2	6	56	69	1	2.5	17	1.520	AN 09
AW 10	50	47.5	6	1.2	6	61	74	1	2.5	17	1.600	AN 10
AW 11	55	52.5	8	1.5	7	67	81	1	4	17	1.960	AN 11
AW 12	60	57.5	8	1.5	7	73	86	1.2	4	17	2.530	AN 12
AW 13	65	62.5	8	1.5	7	79	92	1.2	4	19	2.900	AN 13
AW 14	70	66.5	8	1.5	8	85	98	1.2	4	19	3.340	AN 14
AW 15	75	71.5	8	1.5	8	90	104	1.2	4	19	3.560	AN 15
AW 16	80	76.5	10	1.8	8	95	112	1.2	4	19	4.640	AN 16
AW 17	85	81.5	10	1.8	8	102	119	1.2	4	19	5.240	AN 17
AW 18	90	86.5	10	1.8	10	108	126	1.2	4	19	6.230	AN 18
AW 19	95	91.5	10	1.8	10	113	133	1.2	4	19	6.700	AN 19
AW 20	100	96.5	12	1.8	10	120	142	1.2	6	19	7.650	AN 20
AW 21	105	100.5	12	1.8	12	126	145	1.2	6	19	8.260	AN 21
AW 22	110	105.5	12	1.8	12	133	154	1.2	6	19	9.400	AN 22
AW 23	115	110.5	12	2	12	137	159	1.5	6	19	10.800	AN 23
AW 24	120	115	14	2	12	138	164	1.5	6	19	10.500	AN 24
AW 25	125	120	14	2	12	148	170	1.5	6	19	11.800	AN 25
AW 26	130	125	14	2	12	149	175	1.5	6	19	11.300	AN 26
AW 27	135	130	14	2	14	160	185	1.5	6	19	14.400	AN 27
AW 28	140	135	16	2	14	160	192	1.5	8	19	14.200	AN 28
AW 29	145	140	16	2	14	171	202	1.5	8	19	16.800	AN 29
AW 30	150	145	16	2	14	171	205	1.5	8	19	15.500	AN 30

Note : 1) SUS Lockwashers (不鏽鋼墊片)。

2) Material is SUS 304 (材質為 SUS 304)。